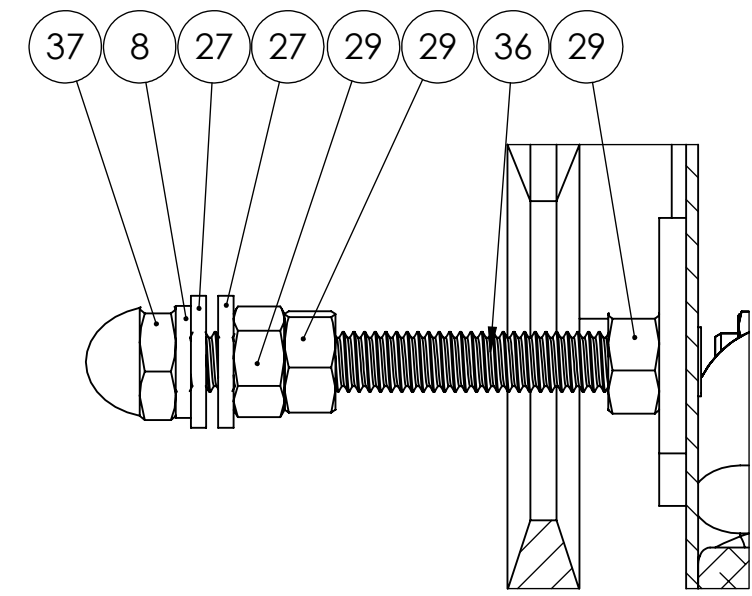
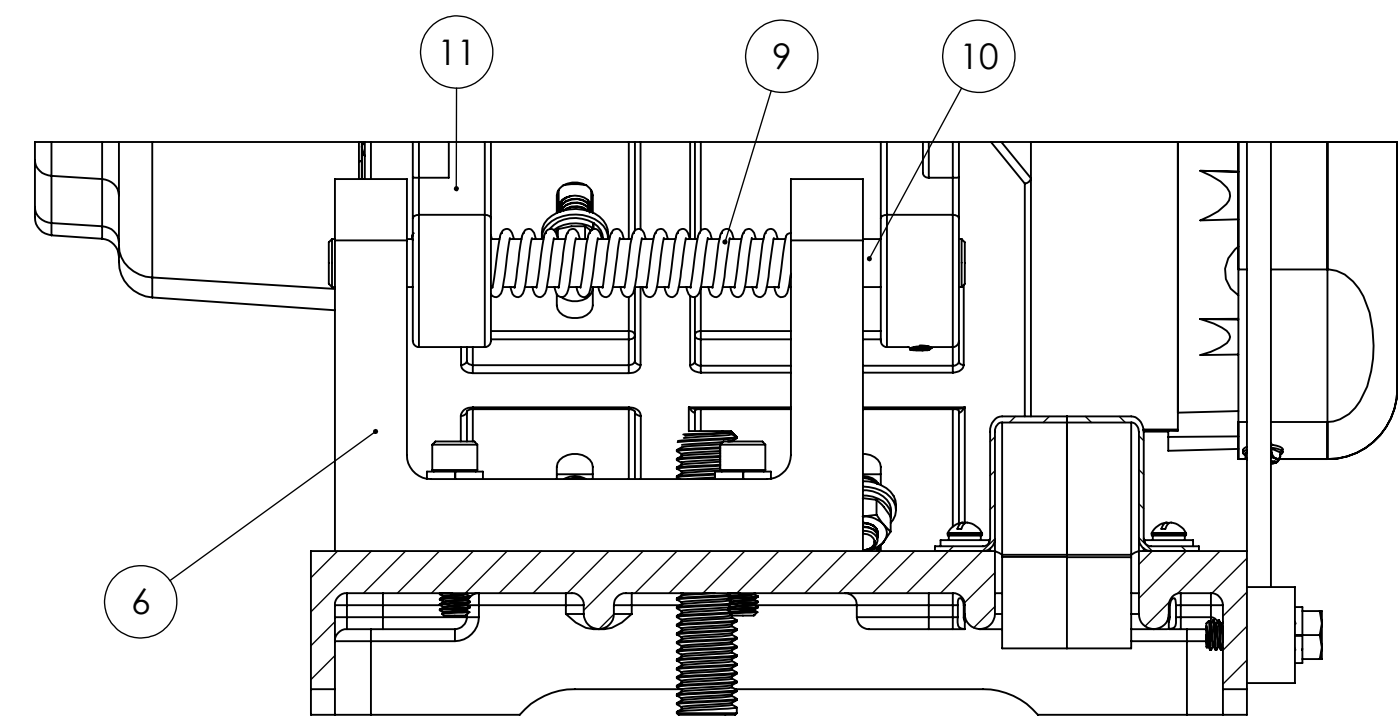


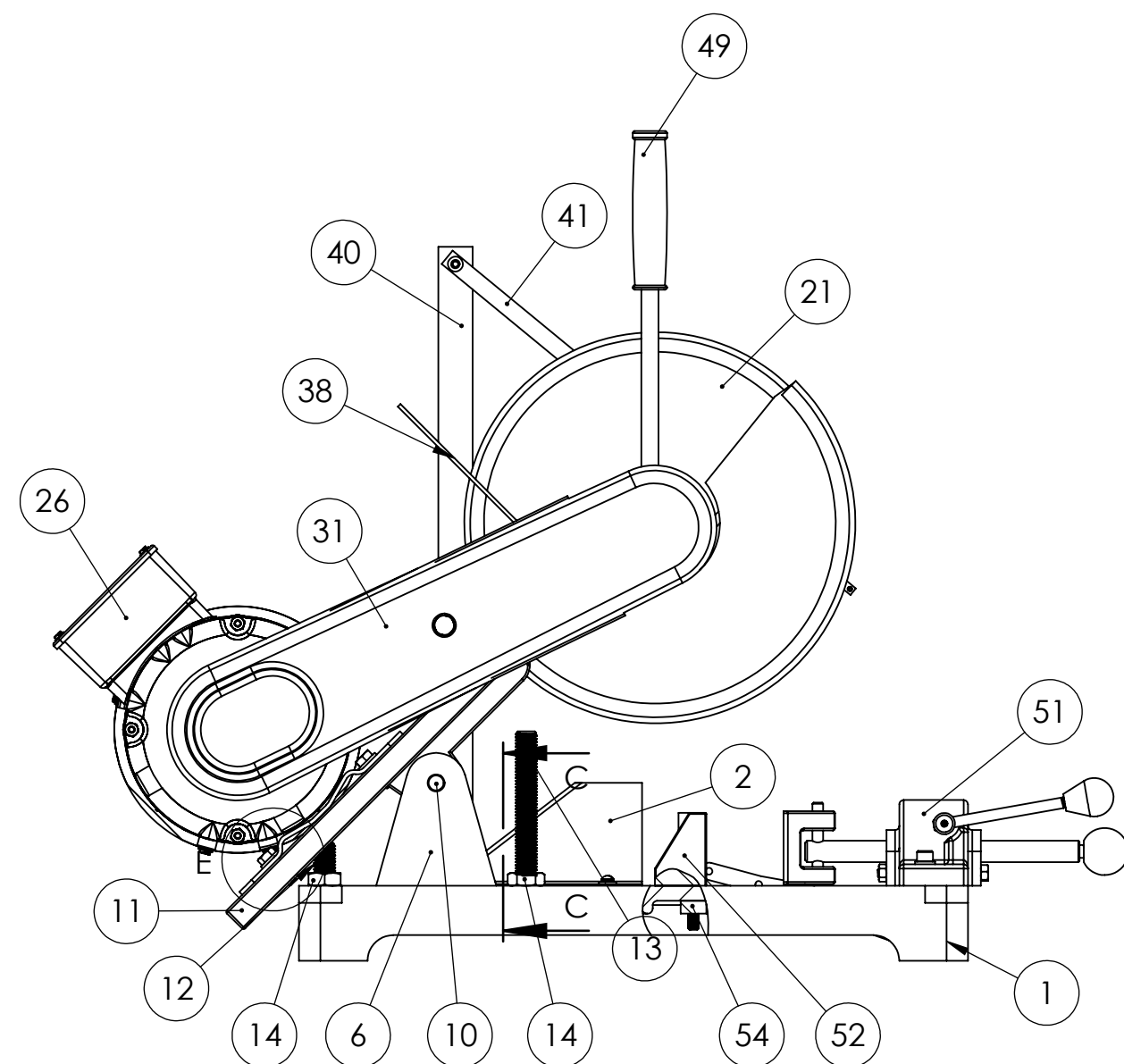
INTERNAL BELT GUARD VIEW



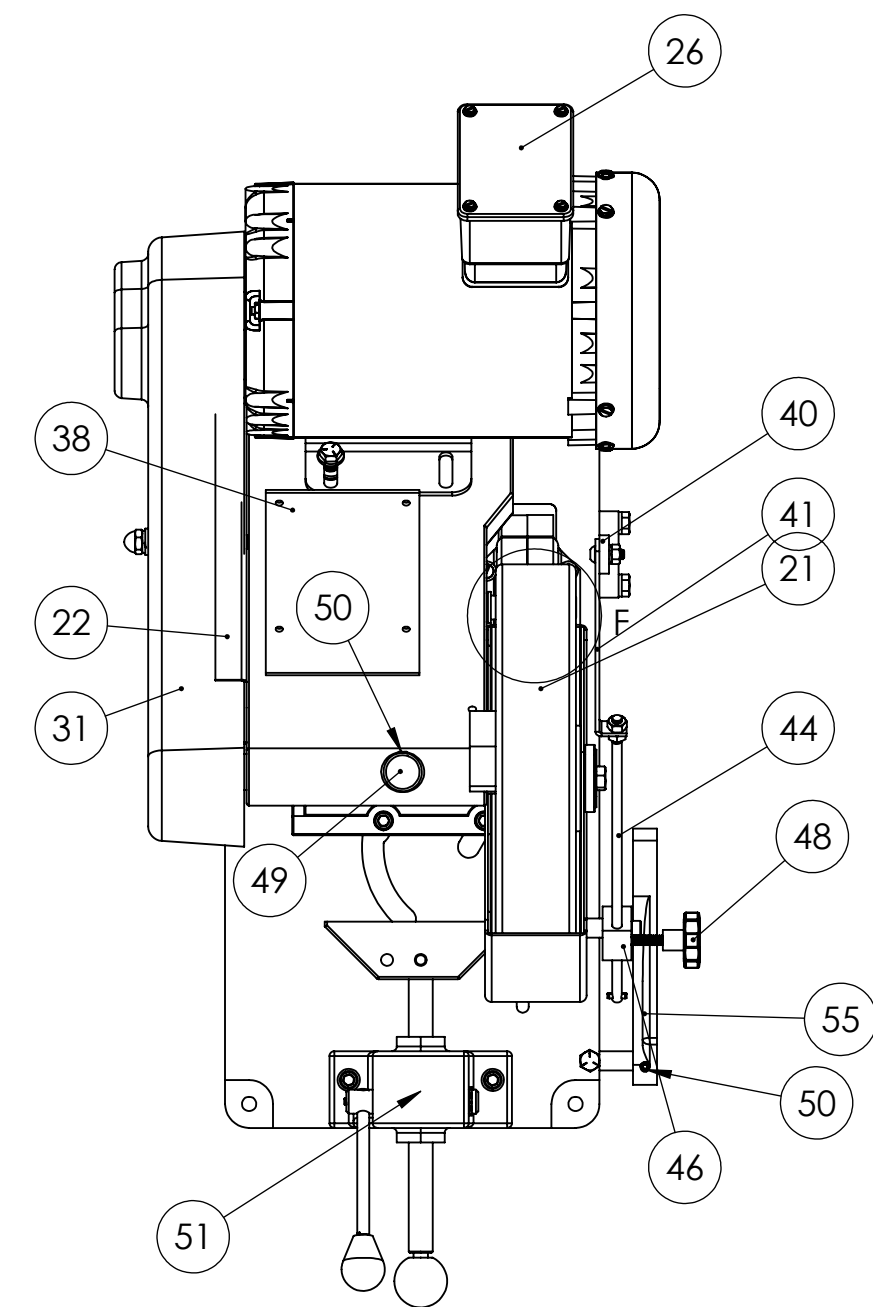
SECTION D-D
SCALE 1:1
ATTACHMENT OF
OUTER PLASTIC BELT GUARD



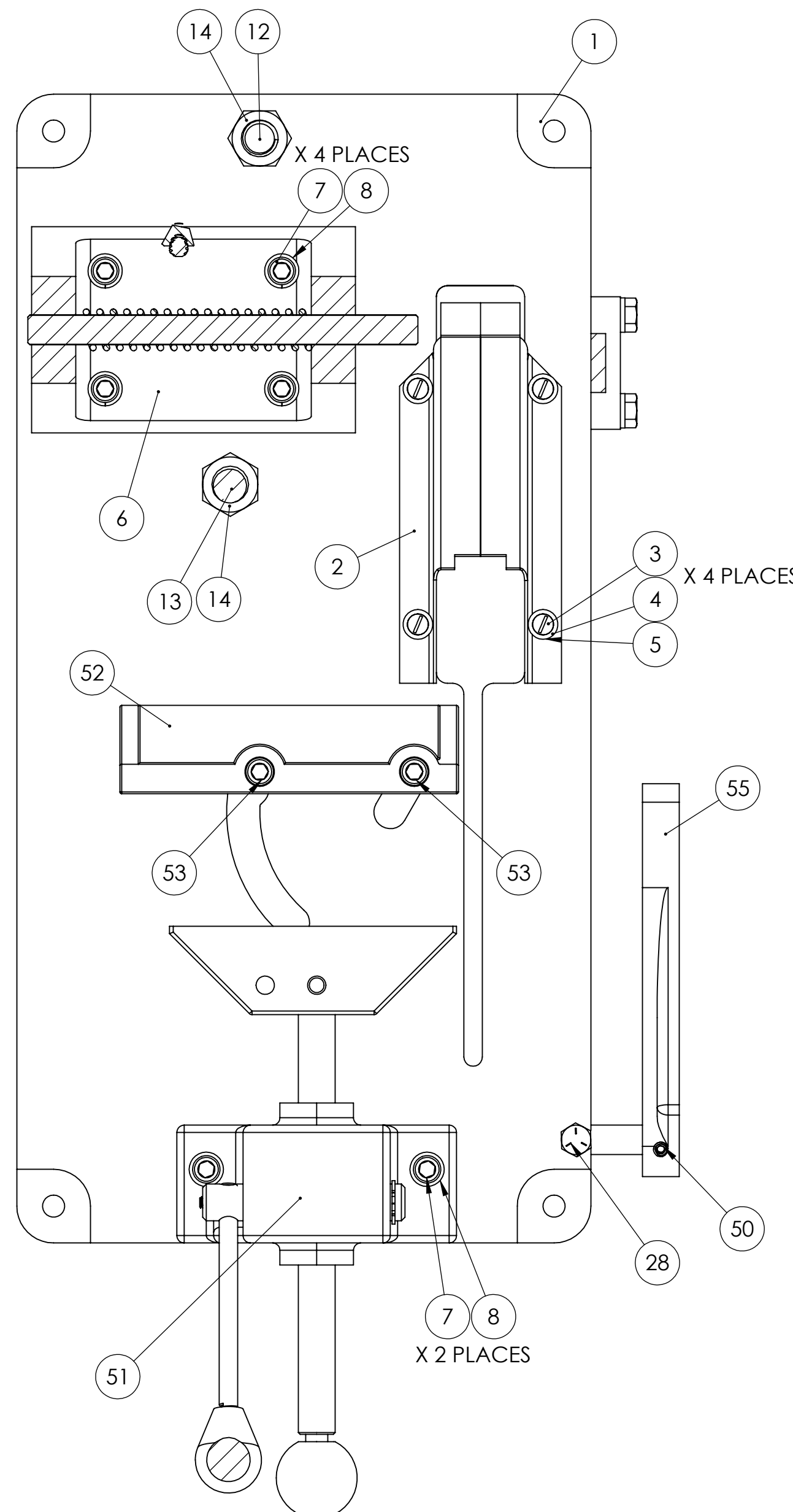
SECTION C-C
FRONT VIEW OF
TRUNNION, TRUNNION
PIN, AND SPRING



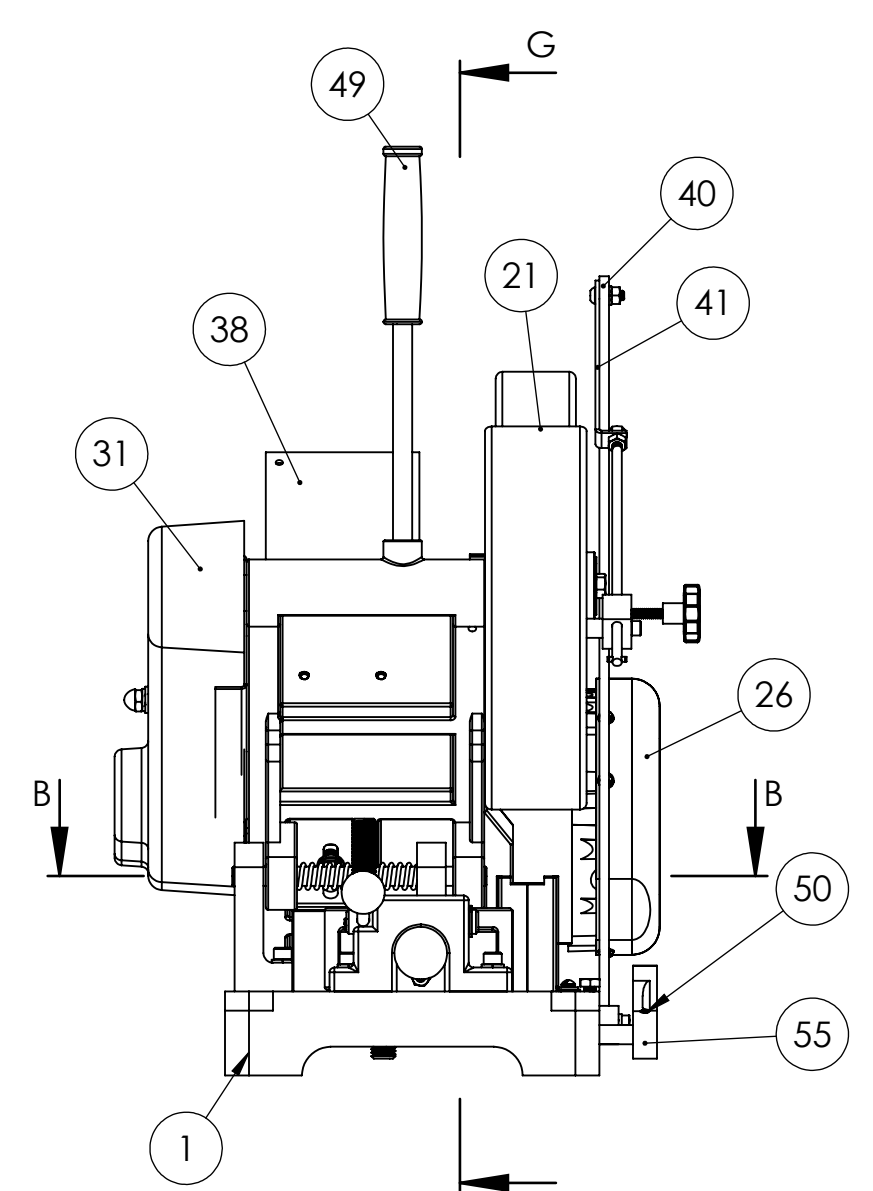
LEFT VIEW



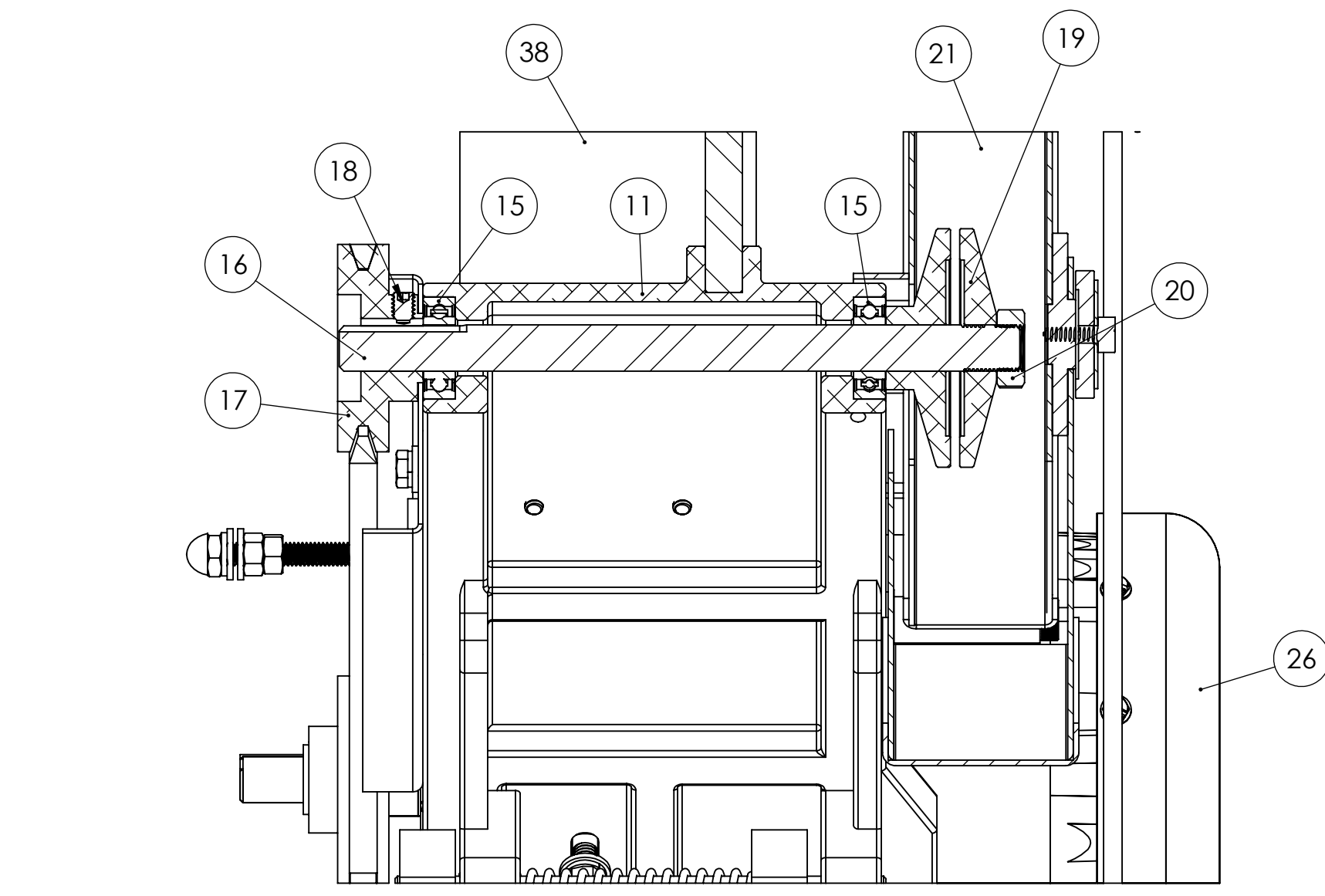
TOP VIEW



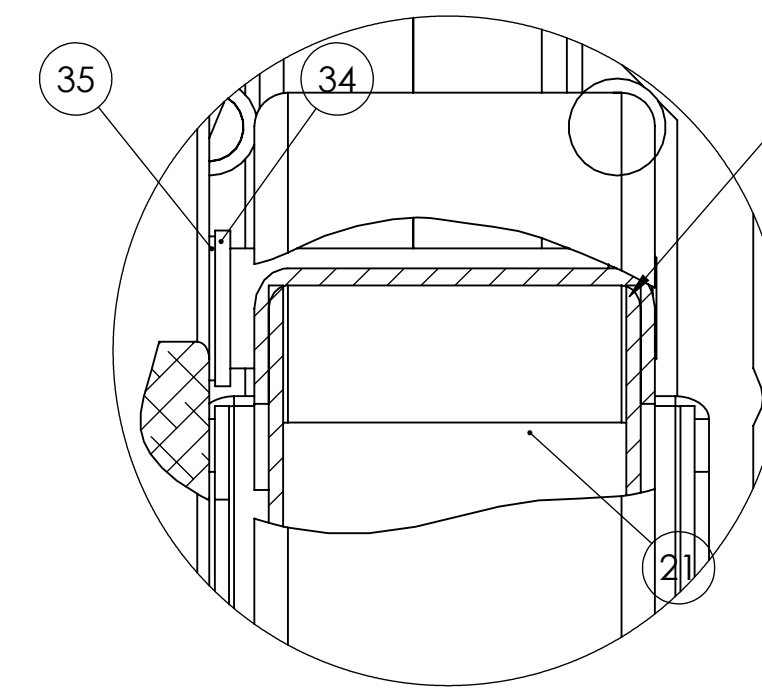
SECTION B-B
TOP VIEW OF
LAYOUT



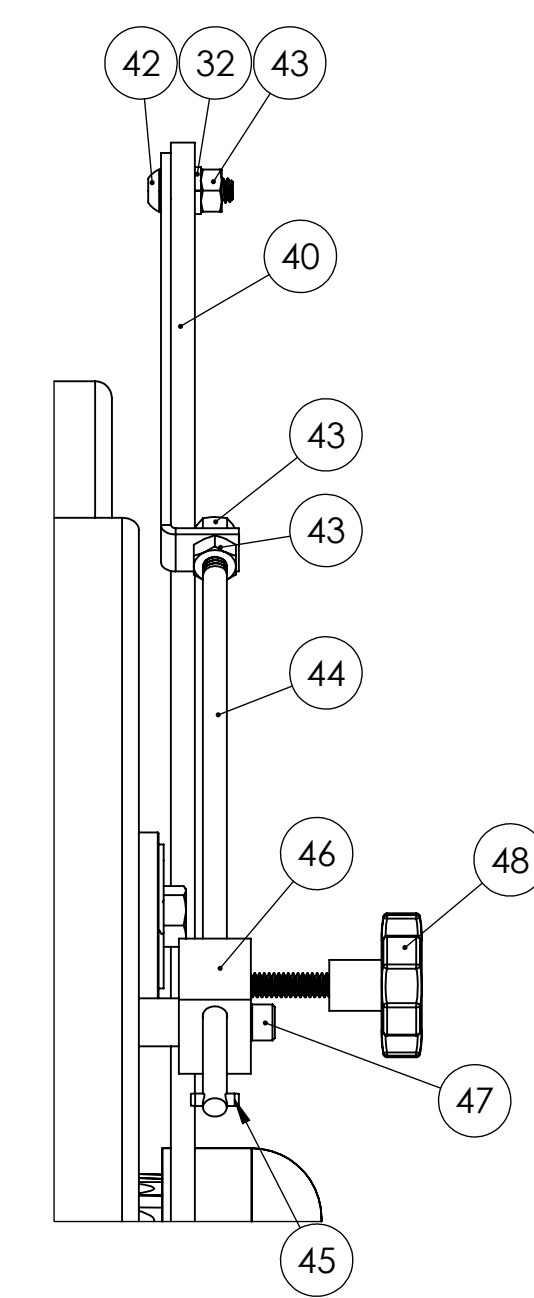
FRONT VIEW



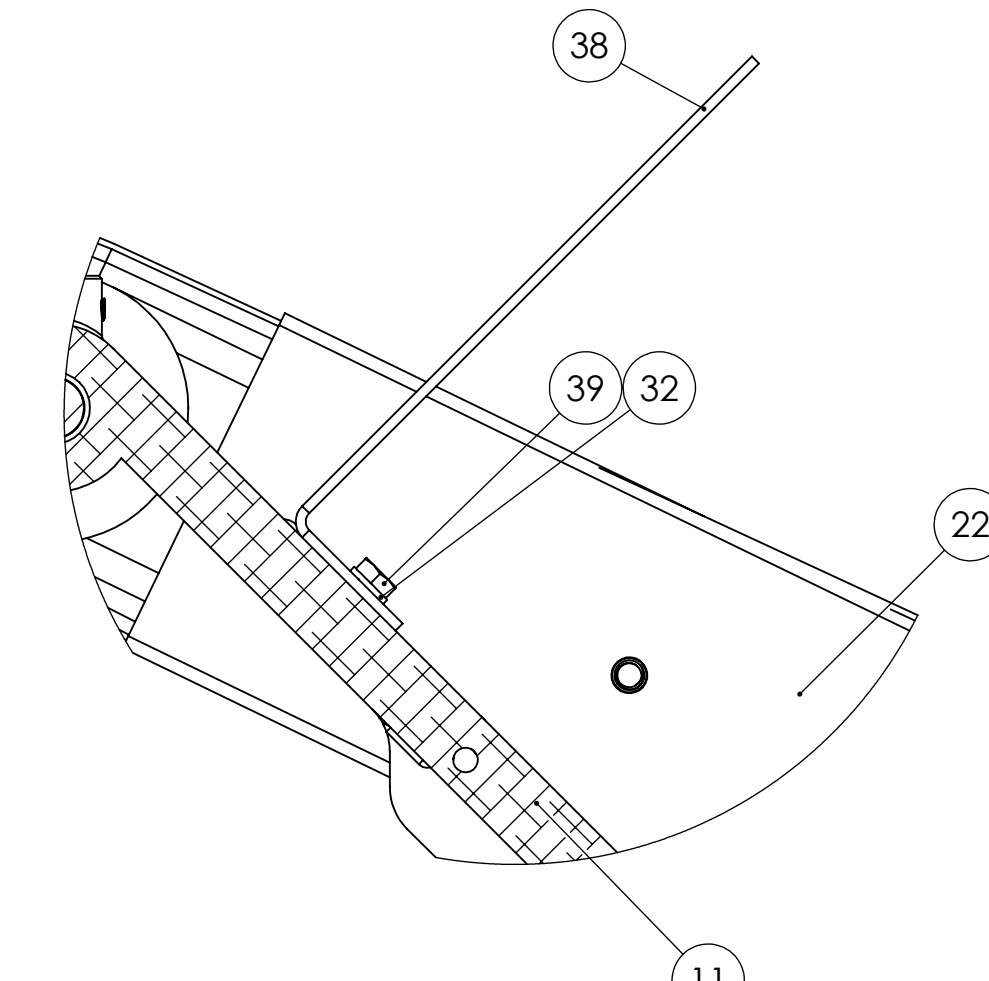
SECTION A-A
SPINDLE HALF SECTION
VIEW



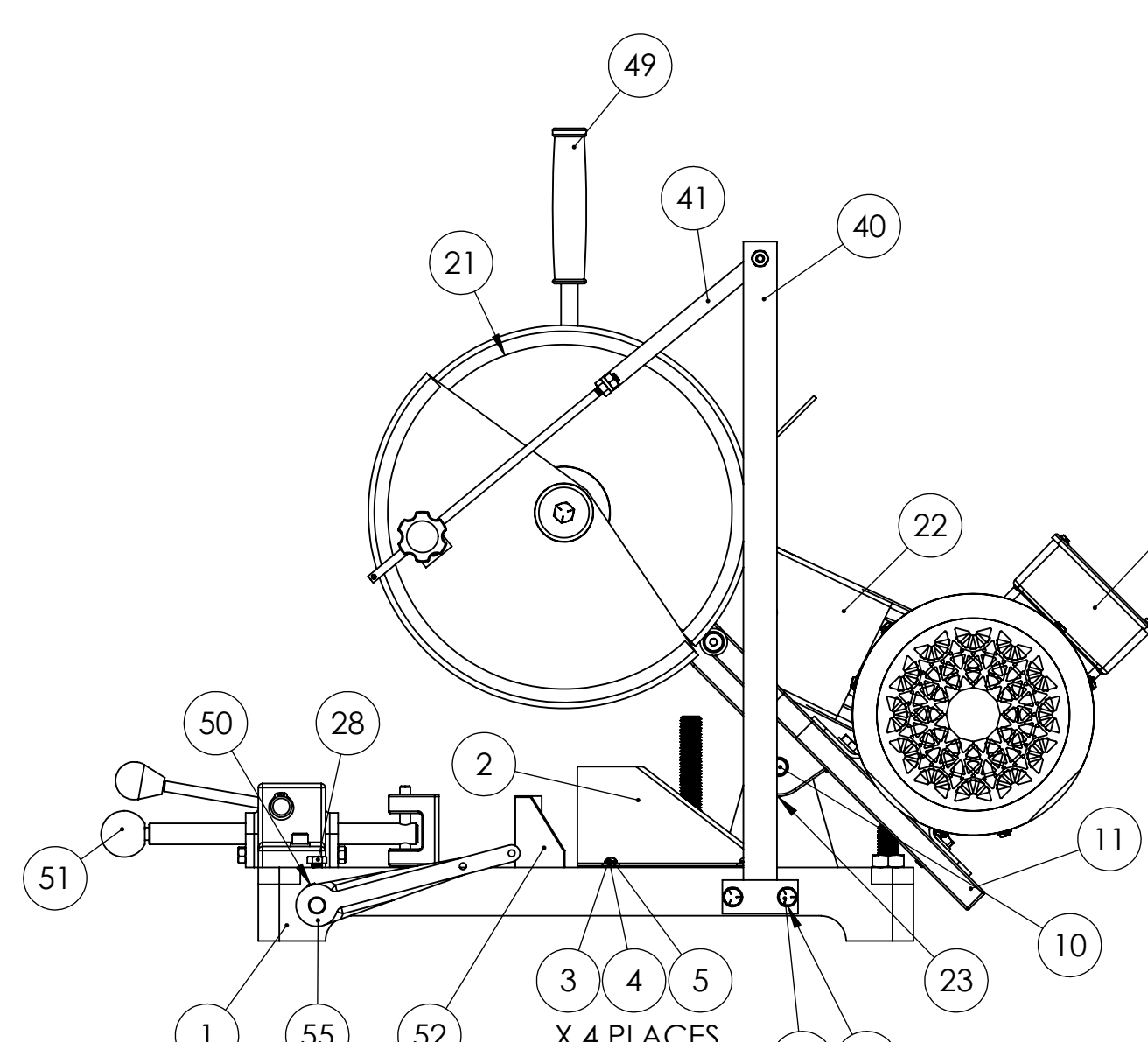
DETAIL F
CLAMSHHELL GUARD
ATTACHMENT DETAILS
SCALE 1:1



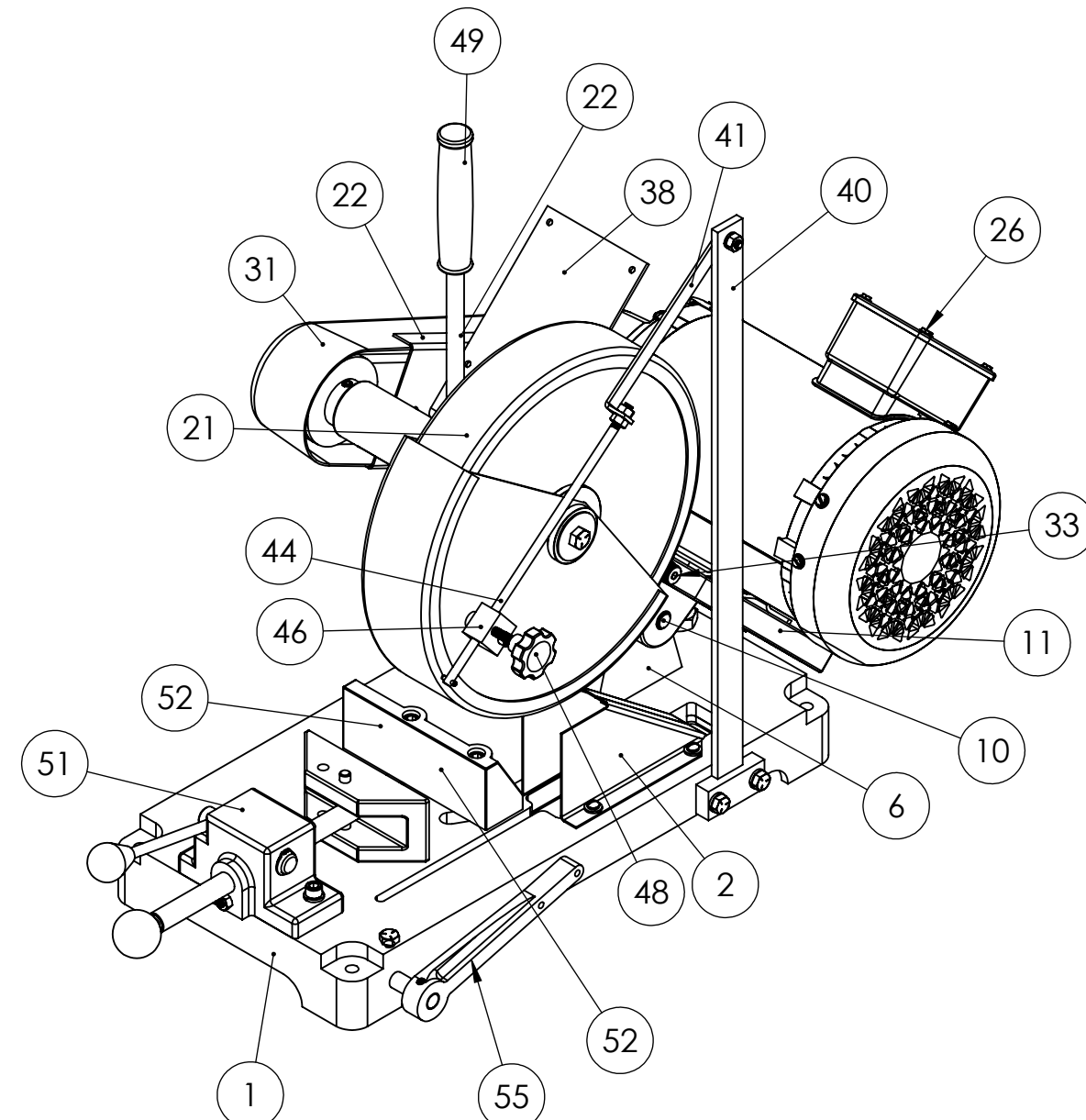
FRONT VIEW OF
CLAMSHHELL VEVEY
MECHANISM



SECTION G-G
SWITCH BRACKET
DETAILS



RIGHT VIEW



3PH MOTOR AND SWITCH

ITEM NO.	PART NUMBER	DESCRIPTION	QTY
28	486-007	3HP 3PH	1
	710-071	3PH SWITCH	1

ITEM NO.	PART NUMBER	DESCRIPTION	QTY.
1	050-008	K10 BASE	1
2	342-008MOD	MODIFIED GUARD, SPARK DEFLECTOR FOR K10HS SAW	1
3	SRMZ011008	10-24 X 1/2 SLT ROUND MS Z	4
4	MSWZ010	#10 M.S. F/W Z	4
5	SLWZ010	#10 SPLIT L/W Z	4
6	041-006	TRUNNION BRACKET FOR K10	1
7	SHCA031024	5/16-18 X 1-1/2 SHCS	6
8	SLWZ031	5/16 SPLIT L/W Z	12
9	697-013	TENSION SPRING FOR 2FS, 2FS72, 2FSM, BG142, 2FS72M, K12-14B	1
10	562-004	TRUNNION PIN FOR K7B, K8B, K10B	1
11	002-001	ALUMINUM SAW ARM FOR K7B, K8B, K10B (TAKES NEW 6202-2RS-1/2 BEARINGS)	1
12	RND-5/8-11 THRD RODX4.	4 INCHES OF 5/8-11 THREADED ROD	1
13	RND-0.625-11 THRD RODX5.	5-1/2 INCHES OF 5/8-11 THREADED ROD	1
14	FJNZ062	5/8-11 F H JAM NUT Z	2
15	044-007	K10 BEARING	2
16	701-003	K10 SPINDLE W TIGHT FLANGE	1
17	560-045	K10B, K10SW, KM10 PULLEY	2
18	SSKA031006	5/16-18 X 3/8 SOC SET KNURL PT.	2
19	292-008	LOOSE FLANGE FOR K10B AND 2SK7	1
20	FJNZ063	5/8-18 F H JAM NUT Z	1
21	342-103	K10HS CLAMSHHELL WHEEL GUARD ASSEMBLY	1
22	342-027	K10B INNER GUARD BELT BRACKET	1
23	SSKA025008	1/4-20 X 1/2 SOC SET KNURL PT.	1
24	HHC5025012	1/4-20 X 3/4 HHCS GR5 Z	2
25	UFWZ025	1/4 USS F/W Z	2
26	486-006	3 HP MOTOR FOR FOR K8B, K10B, KM10, BG260H AND S460W	1
27	UFWZ031	5/16 USS F/W Z	8
28	HHC5031016	5/16-18 X 1 HHCS GR5 Z	6
29	FHN5031	5/16-18 FHN GR5 ZINC	6
30	051-003	V-BELT FOR K10, KM10, S6MW, S460W	1
31	342-043	K10B, KM10 PLASTIC OUTER BELT GUARD	1
32	SLWZ025	1/4 SPLIT L/W Z	5
33	SSBA031006	5/16 X 3/8 SOC SHOULDER BOLT	1
34	UFWZ037	3/8 USS F/W Z	1
35	BWWA031	5/16 BOWED SPRING WASHER 21/64	1
36	RND-0.31-18 THRD RODX	3 INCHES OF 5/16-18 THREADED ROD	1
37	CPNZ031	5/16-18 CAP NUT NICKEL	1
38	041-050	SWITCH BRACKET FOR K8B AND K10B	1
39	HHC5025008	1/4-20 X 1/2 HHCS GR5 Z	2
40	455-005POST	POST FOR K10HS CLAMSHHELL WHEEL GUARD LEVER ASSEMBLY	1
41	455-005BRACKET	TENSION BRACKET (LONG) FOR K10HS AND KM10HS CLAMSHHELL GUARD	1
42	BSCA025012	1/4-20 X 3/4 BSCHCS	1
43	FHN5025	1/4-20 FHN GR5 Z	3
44	455-007ROD	GUIDE ROD FOR K10 AND K14 SERIES CLAMSHHELL WHEEL GUARD LEVER ASSEMBLY	1
45	ROLA012008	1/8 X 1/2 ROLL PIN	1
46	053-047	BLOCK, WHEEL GUARD FOR K10 AND K14 SERIES CLAMSHHELL GUARD	1
47	SHCA025016	1/4-20 X 1 SHCS	1
48	441-015	907B-2500-1.00S 1/4 THUMBSCREW 1-1/2 DIA	1
49	381-003	HANDLE W GRIP FOR K7B, K8B, K10B SAWS	1
50	SSKA025004	1/4-20 X 1/4 SOC SET KNURL PT.	2
51	912-015	K10- 14 VISE ASSEMBLY	1
52	431-002	K10- 14 REAR VISE JAW	1
53	SHCA031048	5/16-18 X 3 SHCS	2
54	537-014	K10-14 FENCE NUT	1
55	709-002	WORK STOP FOR K10B	1

SEE DRAWING #912-015 FOR COMPLETE VISE DETAILS.

PROPRIETARY/CONFIDENTIAL
THE INFORMATION CONTAINED IN THIS DRAWING IS THE SOLE PROPERTY OF KALAMAZOR. IT IS TO BE USED FOR THE MANUFACTURE OF THE PARTS IDENTIFIED HEREIN. REPRODUCTION IN WHOLE OR IN PART OR AS A WHOLE WITHOUT THE WRITTEN PERMISSION OF KALAMAZOR COMPANY IS PROHIBITED.

UNLESS OTHERWISE SPECIFIED:	NAME	DATE
DIMENSIONS ARE IN INCHES	DESIGNED BY	
FRACTIONS ARE IN 16THS	CHECKED BY	
ANGULAR DIMS. - BEND 1	ENG APPR.	
PROFILES DECIMAL - 4	MGV APPR.	
THREE PLACE DECIMAL - 1		
INTERFERENCE GEOMETRIC TOLERANCES PER	COMMENTS:	
ASME Y14.5		
NEATNESS	USED ON	FINISH
APPLICATION	DO NOT SCALE DRAWING	

KALAMAZOR
K10HS 10" HIGH SPEED NON-FERROUS SAW
SCALE: 1:2 WEIGHT: SHEET 1 OF 1