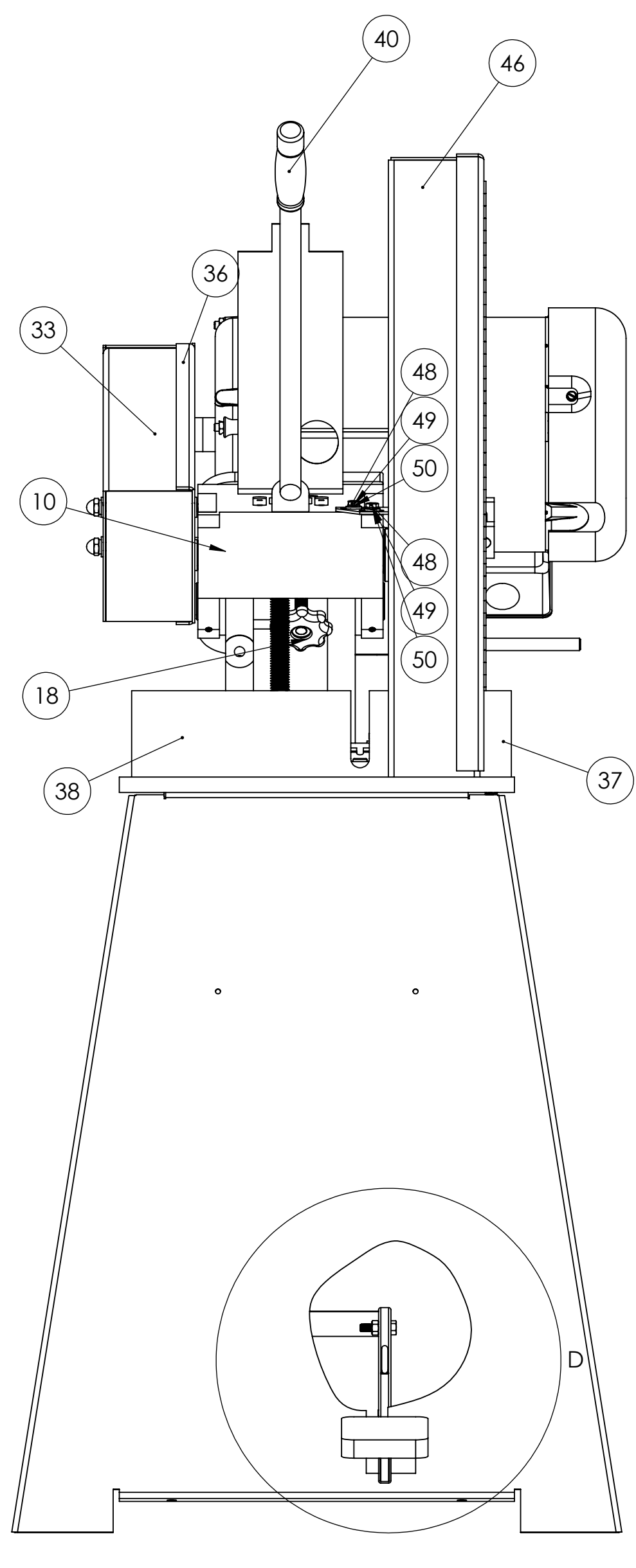
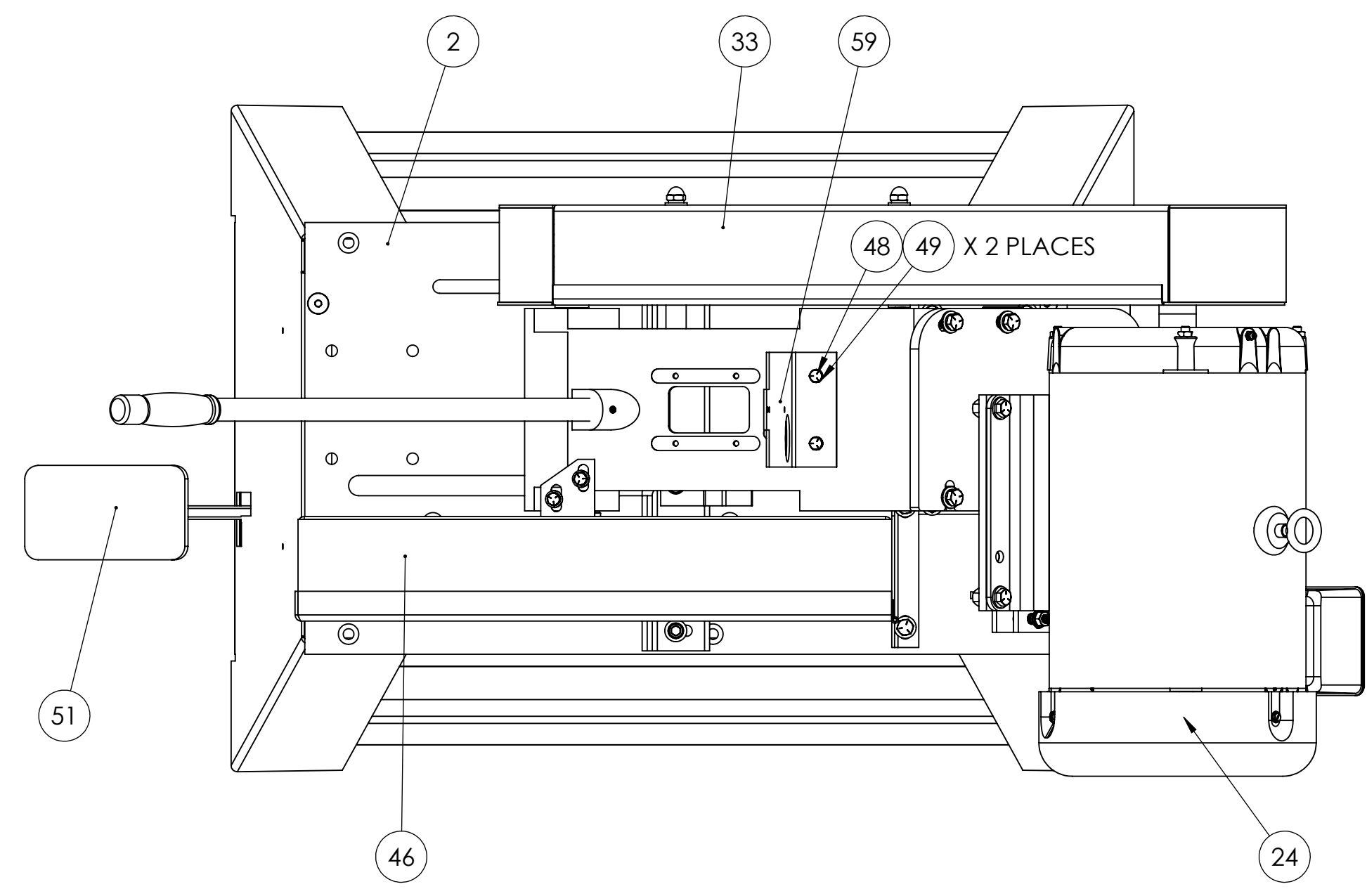


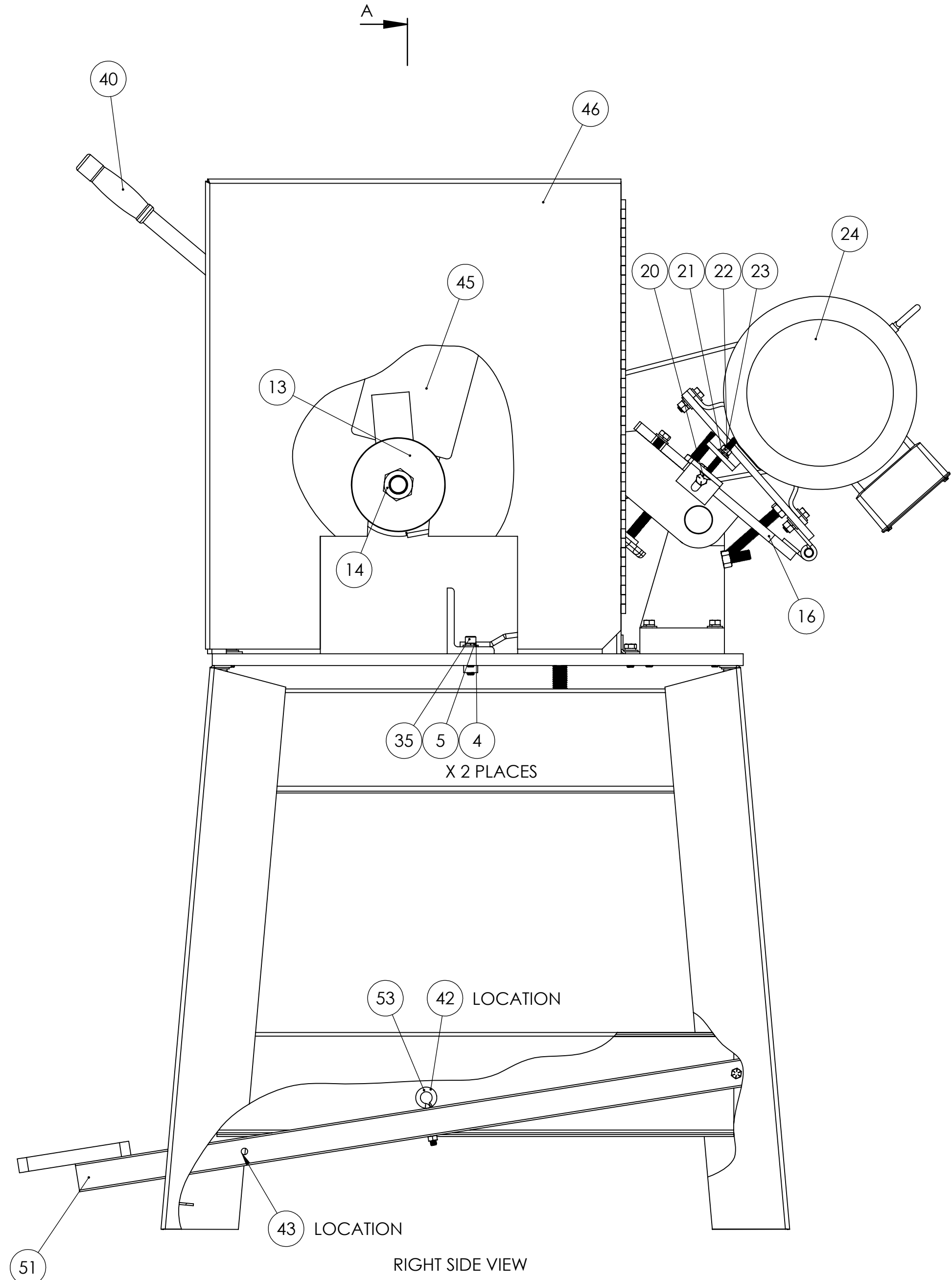
LEFT SIDE VIEW



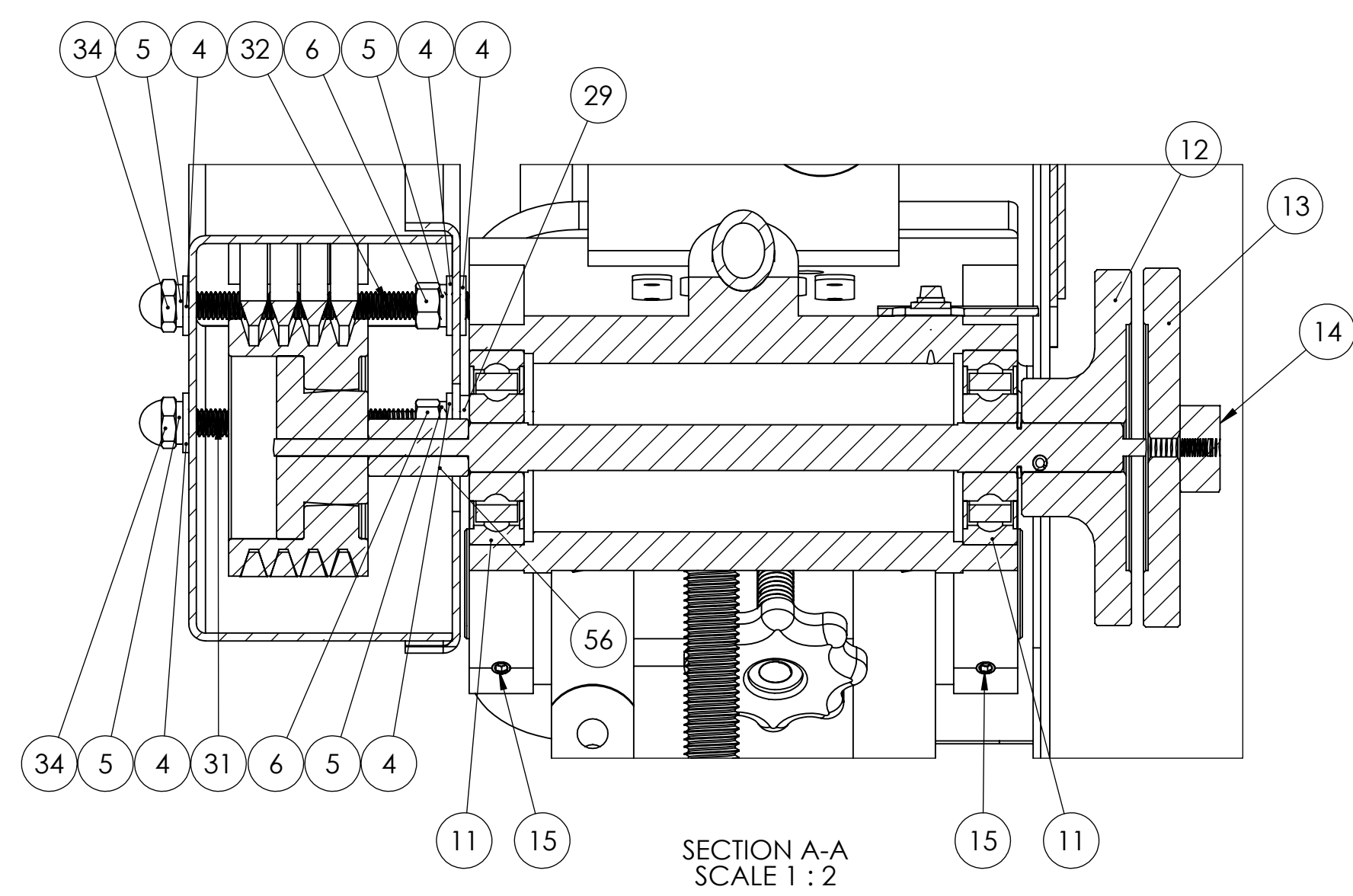
FRONT VIEW



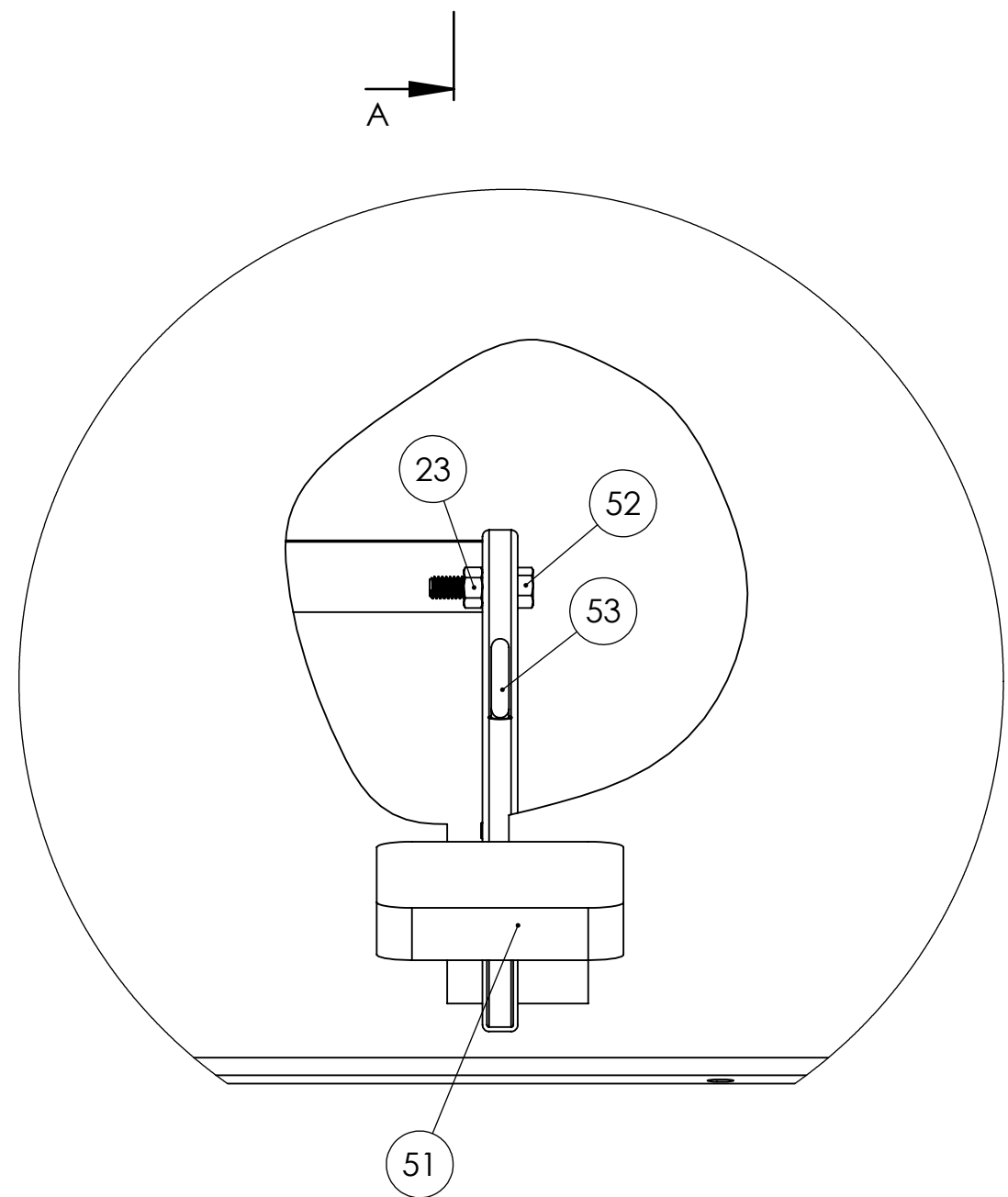
TOP VIEW



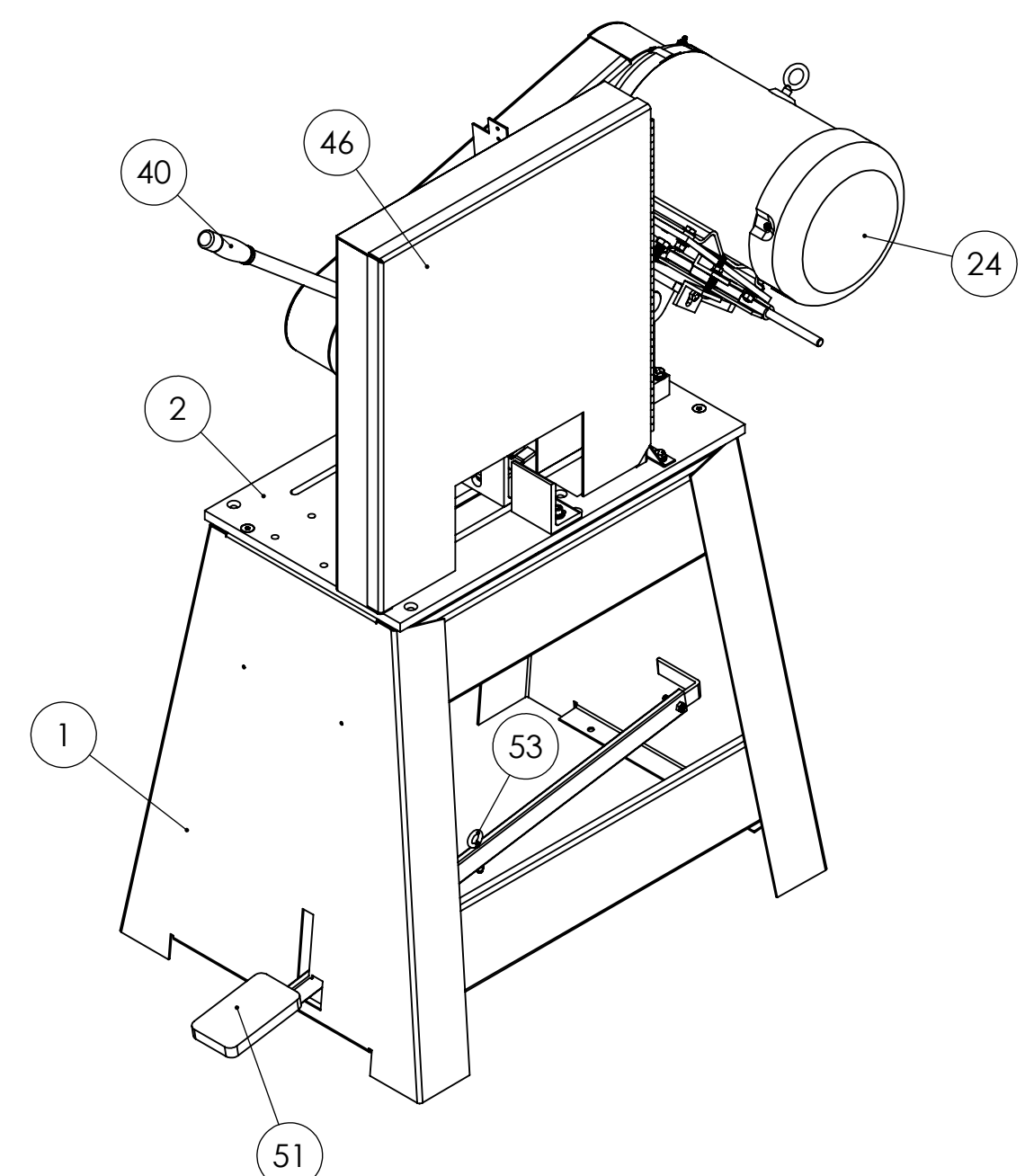
RIGHT SIDE VIEW



SECTION A-A
SCALE 1:2
INTERNAL SPINDLE VIEW



DETAIL D
SCALE 2:5



ITEM NO.	PART NUMBER	DESCRIPTION	QTY.
1	716-023	STAND ASSEMBLY FOR K16-18	1
2	050-018A	BASE, PLATE K16-18 [NEW STYLE AFTER 08/20/2014]	1
3	FSCA037020	3/8-16 X 1-1/4 FSHCS	4
4	UFWZ037	3/8 USS F/W Z	34
5	SLWZ037	3/8 SPLIT L/W Z	28
6	FHN5037	3/8-16 FHN GR5 Z	12
7	831-021	TRUNNION FOR KM16-18, K16-18, K20SSF (NEW STYLE)	1
8	HHC5037036	3/8-16 X 2-1/4 HHCS GR 5 Z	4
9	700-003	NEW STYLE TRUNNION PIN FOR K16-18, KM STYLE TRUNNION, K20SSF	1
10	002-005	SAW ARM FOR K16-18, KM16-18, AND K20SSF SAW	1
11	044-004	K20 SPINDLE BEARING	2
12	701-010	SPINDLE W TIGHT FLANGE FOR K16-18, K20SSF, K20E SAWS	1
13	292-011	LOOSE FLANGE FOR K16-20, KM16-18, KM20-22	1
14	537-027	SPINDLE NUT FOR K16-20	1
15	SSKA031006	5/16-18 X 3/8 SOC SET KNURL PT.	2
16	486-010	MOTOR MOUNT PLATE FOR K16-20 ASSEMBLY	1
17	HHC5037020	3/8-16 X 1-1/4 HHCS GR5 Z	8
18	696-029	MOTOR PLATE TENSION SCREW FOR K16-K20 SAWS	1
19	FJNZ050	1/2-13 F H JAM NUT Z	1
20	CRBZ031040	5/16-18 X 2-1/2 CARRIAGE BOLT Z	1
21	UFWZ031	5/16 USS F/W Z	1
22	SLWZ031	5/16 SPLIT L/W Z	1
23	FHN5031	5/16-18 FHN GR5 ZINC	2
24	486-019	10HP MOTOR FOR K16-18, KM16-18, BG14	1
25	560-046	MOTOR PULLEY SHEAVE FOR K16-18, KM16-18, K20SSF-15, KM20-22/15, KM20-22W/15 (K20SSF 7 1/2 HP), SPINDLE PULLEY SHEAVE FOR K20SW-15HP & 20HP	1
26	049-003	MOTOR PULLEY BUSHING FOR K16-18, KM16-18, K20SSF-15, K20RS-15, K20SW-15, KM20-22-15HP, KM20-22W-15, FOR K16-18, KM16-18, K20SSF-15, K20RS-15, K20SW-15	1
27	560-047	SPINDLE PULLEY SHEAVE FOR K16-18, KM16-18, K20SSF-15, K20RS, KM20-22/15, MOTOR PULLEY SHEAVE FOR K20SW-20HP	1
28	049-004	SPINDLE PULLEY BUSHING FOR K16-18, K20SSF-15HP, K20RS-15, KM16-18, KM20-22-15HP	1
29	RND-3/4CF1018X7/8	7/8 INCHES OF RND-3/4 CF C1018	1
30	051-005	V-BELT FOR K16-18, K20SSF, K20E, K20RS, K20SW	4
31	RND-3/8-16THRDRODX6.25	6-1/4 INCHES OF RND-3/8-16 THREADED ROD	1
32	RND-3/8-16THRDRODX5.375	5-3/8 INCHES OF RND-3/8-16 THREADED ROD	1
33	342-039	OUTER GUARD, BELT FOR K16-18 AND K20SSF SAWS	1
34	CPNZ037	3/8-16 CAP NUT NICKEL	2
35	SHCA037020	3/8-16 X 1-1/4 SHCS	2
36	342-039A	GUARD, INNER BELT FOR K16-18, KM16-18, K20SSF SAWS	1
37	293-003	FENCE, RIGHT FOR K16-18, K20SSF	1
38	293-002	FENCE, LEFT FOR K16-18, K20SSF	1
39	SHCA037024	3/8-16 X 1-1/2 SHCS	2
40	381-009	HANDLE WITH GRIP FOR K16-20 ABRASIVE SAW	1
41	SSKA025006	1/4-20 X 3/8 SOC SET KNURL PT.	1
42	697-021	SPRING FOR HOOK CHAIN ASSY FOR K16-18 AND K20SSF SAWS	1
43	697-022	SPRING, FOOT PEDAL FOR K16-18 AND K20SSF SAWS	1
44	ZERK012000	1/8-27 X 1 1/16 STRT LUBE FITTING	2
45	342-030	INNER WHEEL GUARD FOR K16-18, K20SSF SAWS	1
46	342-014	WHEEL GUARD FOR K16-18 SAW	1
47	HHC5037016	3/8-16 X 1 HHCS GR5 Z	4
48	HHC5025008	3/4-10 FHN GR5 Z	4
49	SLWZ025	1/4 SPLIT L/W Z	4
50	UFWZ025	1/4 USS F/W Z	2
51	041-007	Default	1
52	HHC5031020	5/16-18 X 1-1/4 HHCS GR 5 Z	1
53	TEBZ031032	5/16X2 TURNED EYE BOLT Z	1
54	709-003	STOP, DOWN FOR K16-18 AND K20SSF SAWS	1
55	FHN5075	3/4-10 FHN GR5 Z	1
56	049-116	SPACER BUSHING FOR K20 SERIES SPINDLE	1
57	RND-1/2-13THRDRODX2	2 INCHES OF RND-1/2-13 THREADED ROD	1
58	FHN5050	1/2-13 FHN GR5 Z	1
59	041-092	SWITCH BRACKET FOR MAG SWITCH ON K20 ARM	1
60	537-007	LONG FENCE NUT FOR K16-20 SAWS	1

UNLESS OTHERWISE SPECIFIED:
DIMENSIONS ARE IN INCHES
TOLERANCES:
FRACTIONS: ± .005
DECIMALS: ± .001
THREE PLACE DECIMAL: ± .0005
INTERFERENCE GEOMETRIC TOLERANCES PER ASME Y14.5

PROPRIETARY AND CONFIDENTIAL
THIS DRAWING IS THE PROPERTY OF KALAMAZOR TOOL COMPANY. IT IS TO BE USED FOR THE MANUFACTURE OF THE PRODUCT IDENTIFIED HEREIN. NO REPRODUCTION OR DISSEMINATION OF THIS DRAWING IS TO BE MADE WITHOUT THE WRITTEN PERMISSION OF KALAMAZOR TOOL COMPANY. TRADE SECRETS ARE NOT TO BE DISCLOSED.

DATE: 08/20/2014
DRAWN BY: [REDACTED]
CHECKED BY: [REDACTED]
ENG APPR: [REDACTED]
MFG APPR: [REDACTED]
D.A. COMMENTS: [REDACTED]

TITLE: **K16-18 CUT-OFF SAW**

SIZE: E
DWG. NO.: **K16-18**
SCALE: 1:5
WEIGHT: [REDACTED]

REV: [REDACTED]
SHEET 1 OF 1