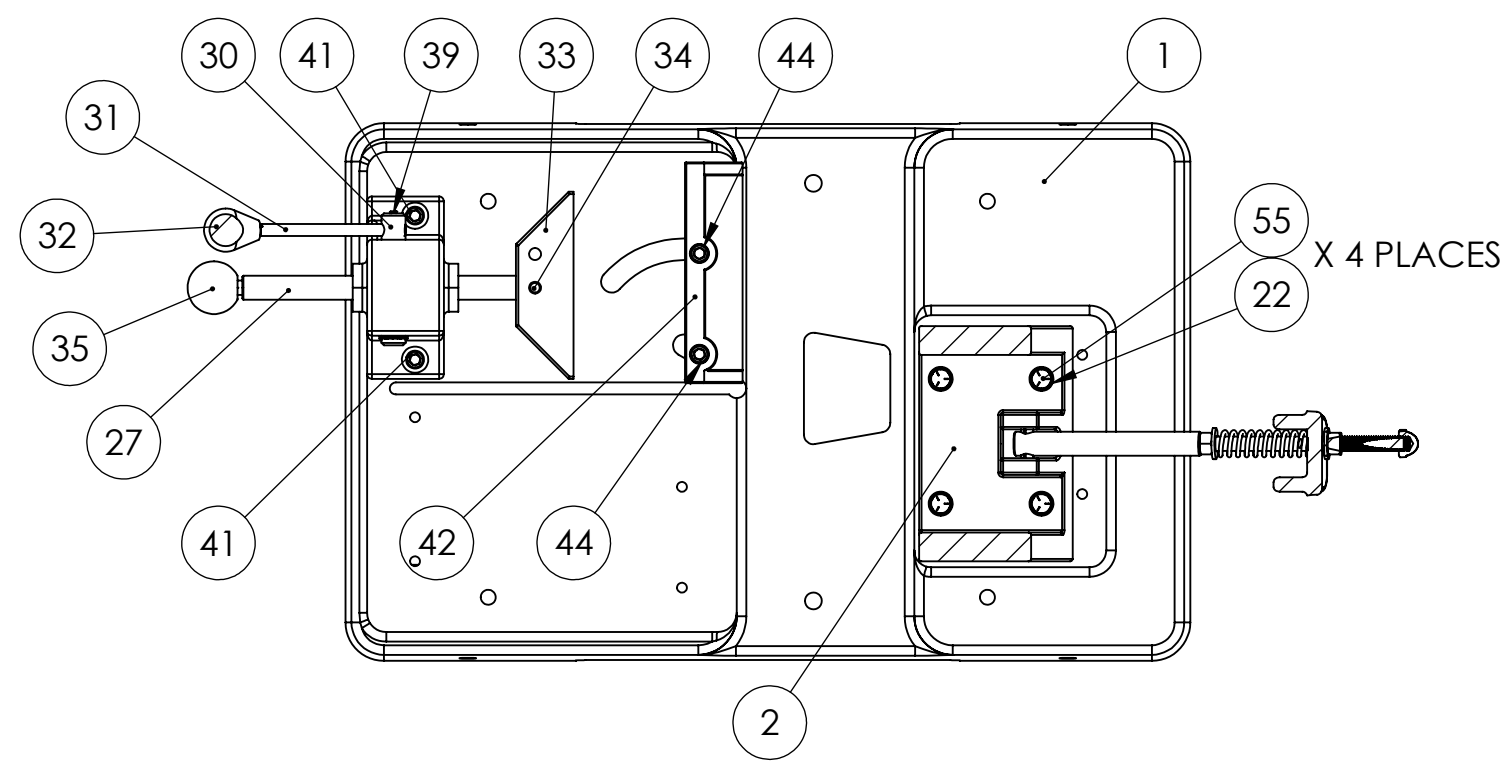
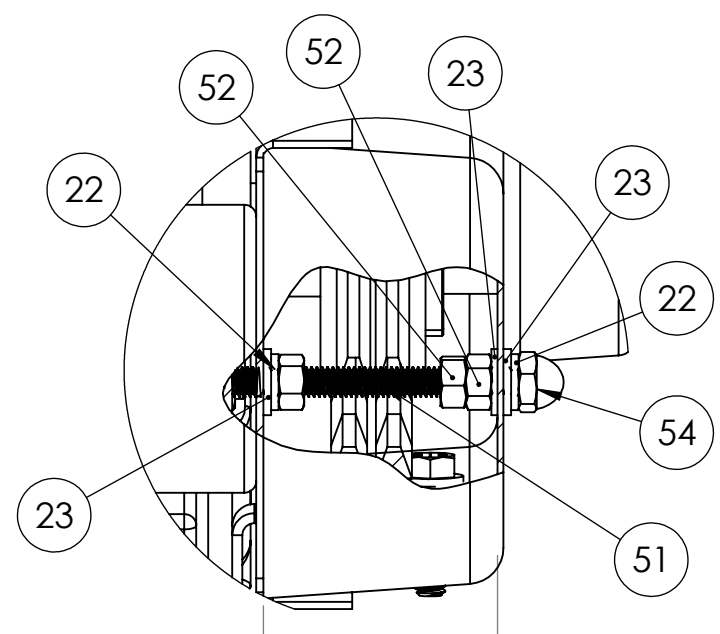


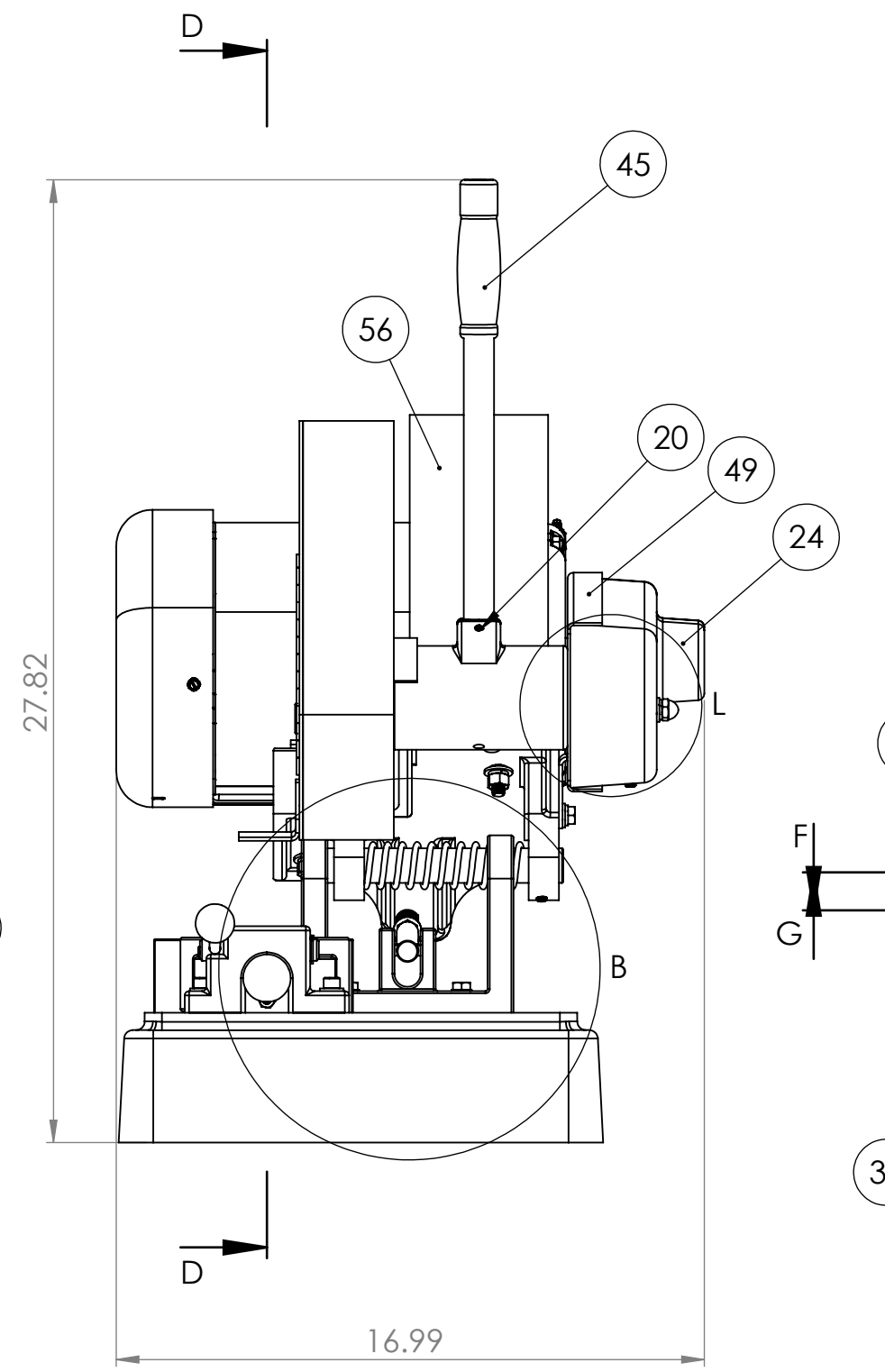
DETAIL A  
SCALE 1 : 5  
PULLEYS, BELTS,  
AND GUARD  
DETAIL



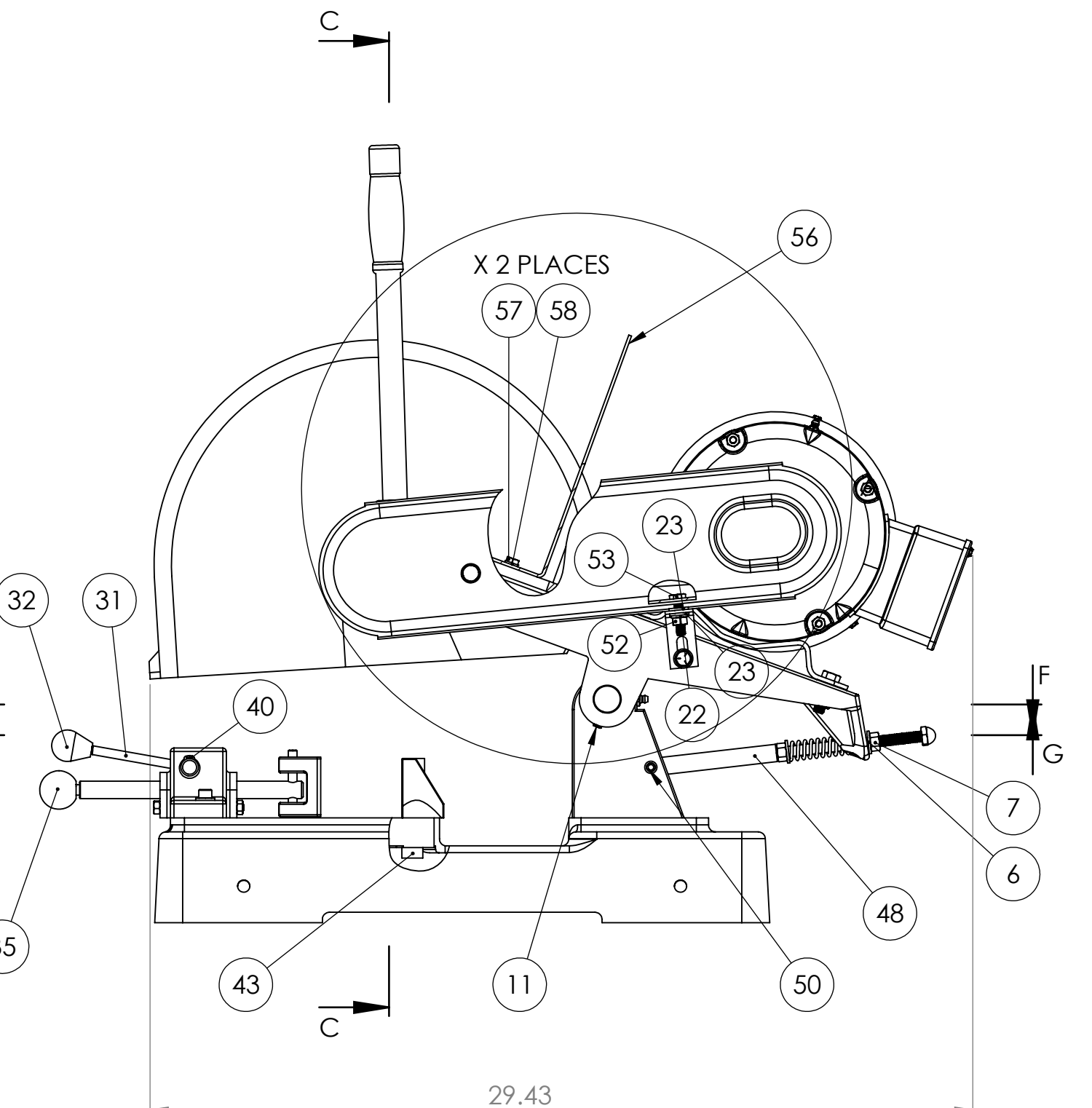
SECTION F-F  
SCALE 1 : 5  
PIVOT BLOCK AND  
VISE MOUNTING  
DETAILS



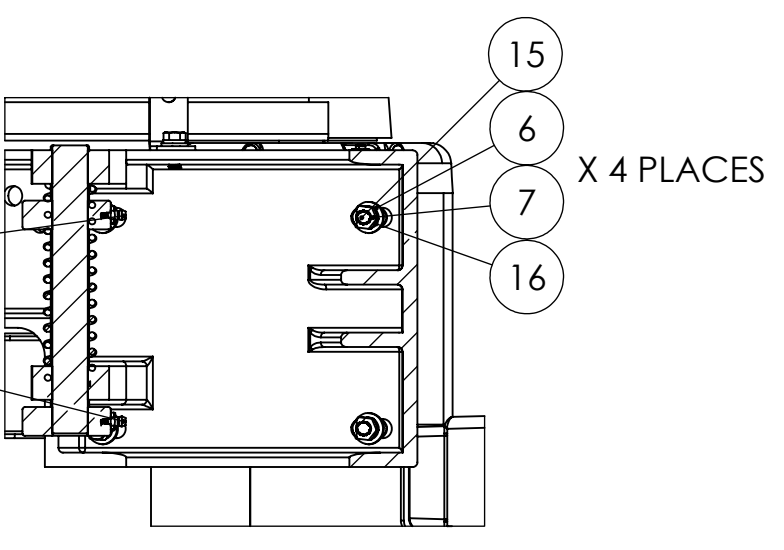
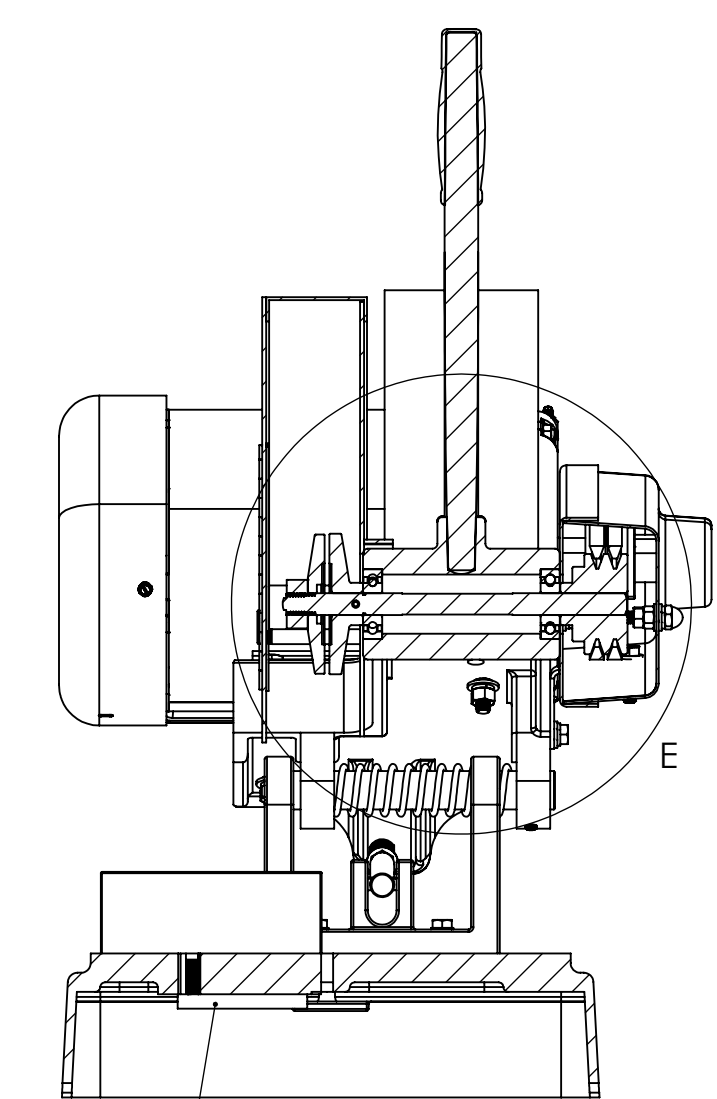
DETAIL L  
SCALE 1 : 2  
ATTACH PLASTIC  
GUARD



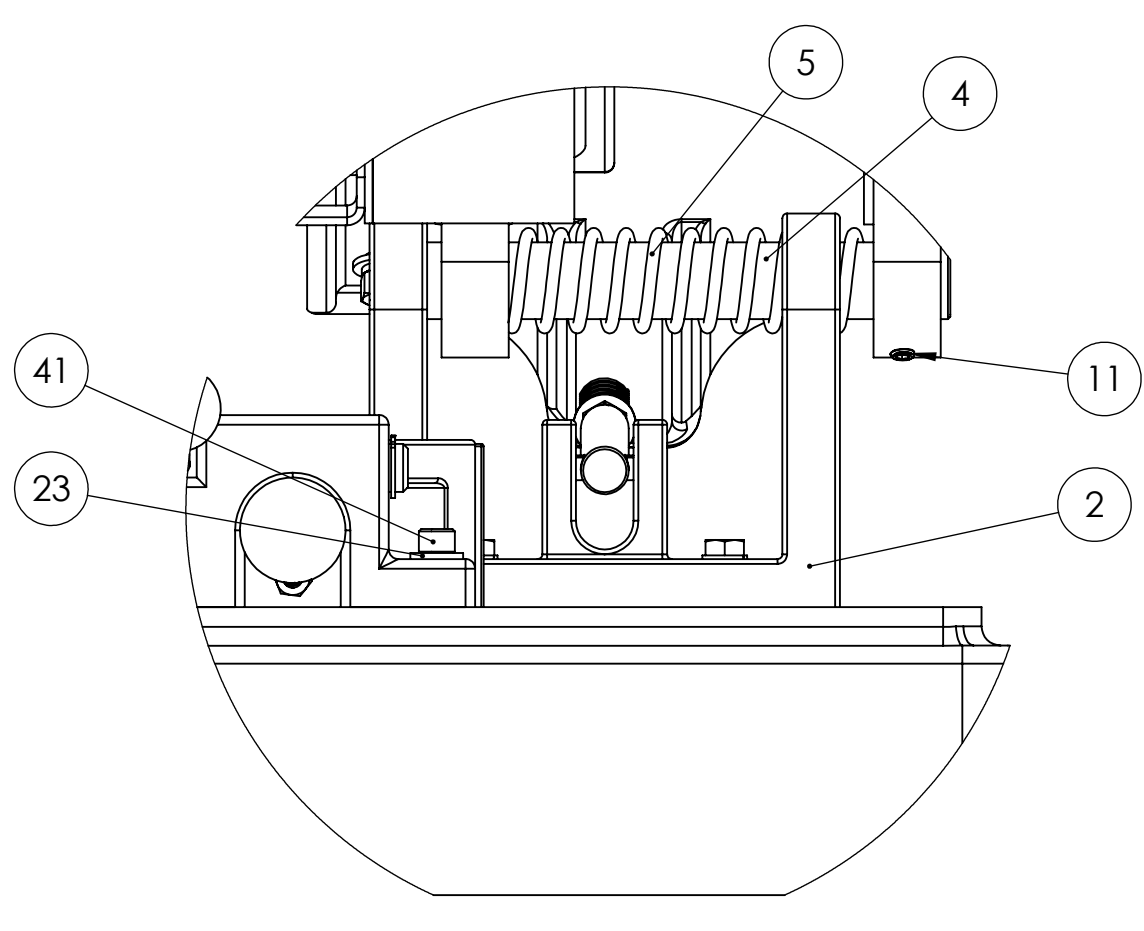
SECTION D-D  
SCALE 1 : 5  
VISE DETAIL



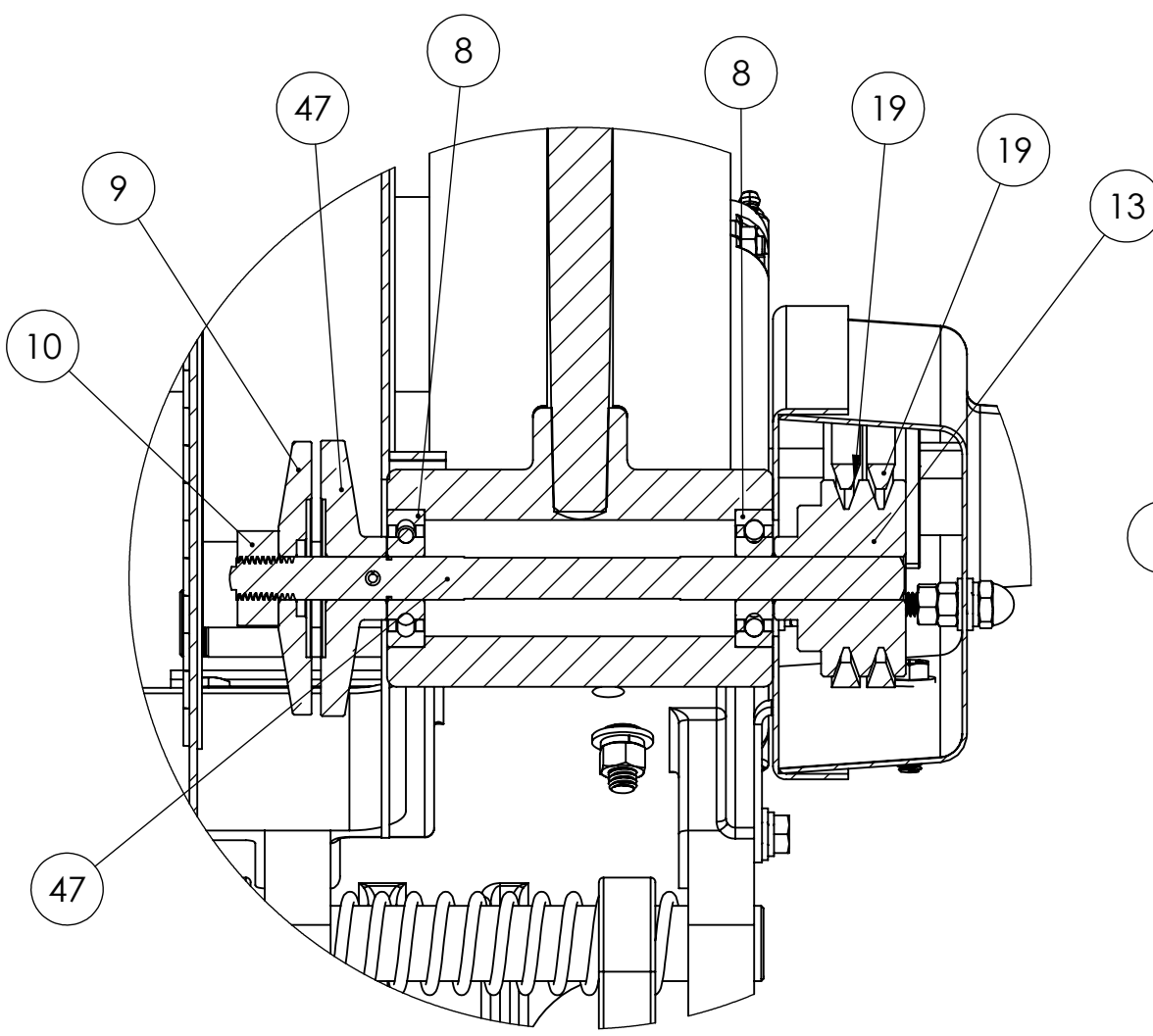
SECTION C-C  
SCALE 1 : 5



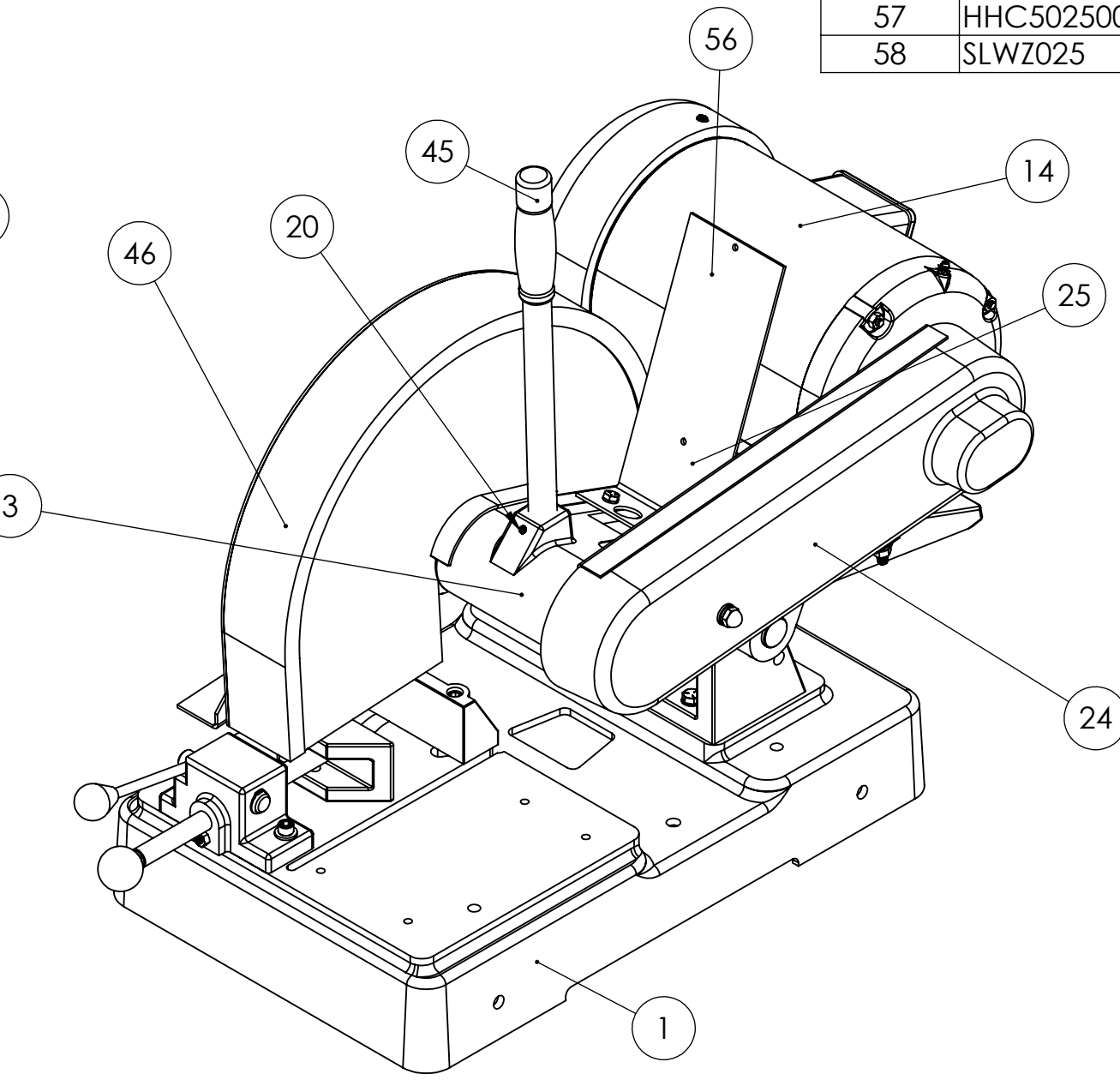
SECTION G-G  
SCALE 1 : 5  
BOTTOM SIDE OF  
MOTOR MOUNT  
DETAIL



DETAIL B  
SCALE 2 : 5  
PIVOT, SPRING  
AND PIVOT SHAFT  
DETAIL



DETAIL E  
SCALE 2 : 5  
SPINDLE, PULLEY,  
BELTS,  
AND BEARINGS  
DETAIL



ITEM NO.	PART NUMBER	DESCRIPTION	QTY.
1	050-002	K12-14 SAW BASE	1
2	041-003	K12-K14 TRUNNION	1
3	002-002	K12- 14 SAW ARM	1
4	562-003	K12-14 TRUNNION PIN	1
5	697-024	SPRING, TENSION FOR BG260, S460, S6M SANDERS, K12-14B SAW, KS390, KS490, KS690 BELT GRINDERS	1
6	UFWZ037	3/8 USS F/W Z	5
7	FHN5037	3/8-16 FHN GR5 Z	5
8	044-001	K12 BEARING	2
9	292-004	K12-14 LOOSE FLANGE	1
10	537-026	L.H. SPINDLE NUT 1" -14 FOR K14, KM14	1
11	SSKA031006	5/16-18 X 3/8 SOC SET KNURL PT.	1
12	ZERK012000	1/8-27 X 11/16 STRT LUBE FITTING	2
13	560-001	K12- 14 SPINDLE PULLEY	1
14	486-001	5 HP MOTOR FOR K12B, K14B, KM14, KM14HS & S6MS-5HP	1
15	HHC5037020	3/8-16 X 1-1/4 HHCS GR5 Z	4
16	SLWZ037	3/8 SPLIT L/W Z	4
17	560-002	MOTOR PULLEY SHEAVE FOR K12-14B, K12-14W, K12-14MS AND KM14	1
18	049-022	MOTOR PULLEY BUSHING FOR K12B, K14B AND KM14	1
19	051-006	V-BELT (TWO REQUIRED) FOR K12, K14, KM14 SAWS (SAME AS 051-009)	2
20	SSKA025004	1/4-20 X 1/4 SOC SET KNURL PT.	3
21	HHC5031012	5/16-18 X 3/4 HHCS GR5 Z	1
22	SLWZ031	5/16 SPLIT L/W Z	8
23	UFWZ031	5/16 USS F/W Z	9
24	342-004	K12-14 OUTER BELT GUARD/PLASTIC	1
25	SSBA062044	5/8 X 2-3/4 SOC SHOULDER BOLT	1
26	386-001	K10-16 VISE HOUSING	1
27	645-001	K10-16 SHORT VISE ROD	1
28	454-001	K10-16 VISE CAM PLATE	1
29	697-001	K10-16 VISE ROD SPRING	1
30	129-001	K10-16 VISE CAM	1
31	381-001	K10- 16 VISE HANDLE	1
32	441-002	K10-16 VISE LOCK HANDLE KNOB	1
33	431-001	FRONT VISE JAW K10, K14, KM14	1
34	562-001	VISE JAW PIN FOR K10B, K12B, K14B, KM16-18 VISE ASSEMBLIES	1
35	441-001	K10- 16 VISE ROD KNOB	1
36	SSSA025024	1/4-20 X 1-1/2 SOC SET CUP PT.	1
37	SSSA025022	1/4-20 X 1-3/8 SOC SET CUP PT.	1
38	FHN5025	1/4-20 FHN GR5 Z	2
39	SSKA010004	10-24 X 1/4 SOC SET KNURL PT	1
40	641-016	RETAINING RING FOR S6, S460W, S612	1
41	SHCA031024	5/16-18 X 1-1/2 SHCS	2
42	431-002	K10- 14 REAR VISE JAW	1
43	537-014	K10-14 FENCE NUT	1
44	SHCA031048	5/16-18 X 3 SHCS	2
45	381-002	HANDLE W GRIP FOR K12-14 SAWS	1
46	342-025	WHEEL GUARD FOR K12-14B SAWS	1
47	701-002	SPINDLE W TIGHT FLANGE FOR K12B, K14B, K12-14W, KM14, K12-14MS	1
48	645-004	K12B- 14B BACK STOP ASSEMBLY	1
49	342-086	K12-14 INNER BELT GUARD ASSEMBLY FOR PLASTIC GUARD	1
50	ROLA031024	5/16 X 1-1/2 ROLL PIN	1
51	RND-5/16-18THRDX3.75	3-3/4 INCHES OF 5/16-18 THREADED ROD	1
52	FHN5031	5/16-18 FHN GR5 ZINC	4
53	HHC5031020	5/16-18 X 1-1/4 HHCS GR 5 Z	1
54	CPNZ031	5/16-18 CAP NUT NICKEL	1
55	HHC5031024	5/16-18 X 1-1/2 HHCS GR5 Z	4
56	041-057	SWITCH BRACKET FOR K12-K14	1
57	HHC5025008	1/4-20 X 1/2 HHCS GR5 Z	2
58	SLWZ025	1/4 SPLIT L/W Z	2

FOR A COMPLETE SPINDLE ASSEMBLY  
ORDER #702-004

- INCLUDES:
- 044-001 BEARINGS, QTY 2
  - 537-026 L.H. SPINDLE NUT, QTY 1
  - 701-002 SPINDLE W TIGHT FLANGE, QTY 1
  - 292-004 LOOSE FLANGE, QTY 1
  - ROLA018022, 3/16 X 1-3/8 ROLL PIN, QTY 1

PROPRIETARY AND CONFIDENTIAL  
THE INFORMATION CONTAINED IN THIS  
DRAWING IS THE SOLE PROPERTY OF  
KALAMAZOO INDUSTRIES, INC. ANY  
REPRODUCTION IN PART OR AS A WHOLE  
WITHOUT THE WRITTEN PERMISSION OF  
KALAMAZOO INDUSTRIES, INC. IS  
PROHIBITED.

UNLESS OTHERWISE SPECIFIED:	NAME	DATE	KALAMAZOO INDUSTRIES, INC.
DIMENSIONS ARE IN INCHES TOLERANCES: FRACTIONAL ± ANGULAR ± MAJOR ± BEND ± TWO PLACE DECIMAL ± THREE PLACE DECIMAL ±	DRAWN		
INTERPRET GEOMETRIC TOLERANCING PER: MATERIAL	CHECKED		
FINISH	ENG APPR.		
NEXT ASSY	MEG APPR.		
USED ON	Q.A.		
APPLICATION	COMMENTS:		
DO NOT SCALE DRAWING			

SIZE DWG. NO. REV  
D K12B-K14B MODEL ASSEMBLY  
SCALE: 1:10 WEIGHT: SHEET 1 OF 1