

ITEM NO.	PART NUMBER	DESCRIPTION	QTY.
1	12-W	WET TOP STAND	1
2	050-008	K10 BASE	1
3	HHC5031032	5/16-18 X 2 HHCS GR5 Z	4
4	SLWZ031	5/16 SPLIT L/W Z	14
5	041-006	TRUNNION BRACKET FOR K10	1
6	SHCA031024	5/16-18 X 1-1/2 SHCS	6
7	697-013	TENSION SPRING FOR 2FS, 2FS72, 2FSM, BG142, 2FS72M, K12-14B, K10B	1
8	562-004	TRUNNION PIN FOR K7B, K8B, K10B	1
9	002-001	ALUMINUM SAW ARM FOR K7B, K8B, K10B (TAKES NEW 6202-2RS-1/2 BEARINGS)	1
10	044-007	K10 BEARING	2
11	701-003	K10 SPINDLE W TIGHT FLANGE	1
12	560-045	K10B, K10SW, KM10 PULLEY	2
13	292-008	LOOSE FLANGE FOR K10B AND 2SK7	1
14	FJNZ063	5/8-18 F H JAM NUT Z	1
15	342-008	SPARK DEFLECTOR GUARD FOR K10 WHEEL GUARD	1
16	SRMZ011008	10-24 X 1/2 SLT ROUND MS Z	4
17	SLWZ010	#10 SPLIT L/W Z	4
18	MSWZ010	#10 M.S. F/W Z	4
19	342-006	WHEEL GUARD FOR K10B SAWS	1
20	342-027	K10B INNER GUARD BELT BRACKET	1
21	SSKA025008	1/4-20 X 1/2 SOC SET KNURL PT.	1
22	HHC5025012	1/4-20 X 3/4 HHCS GR5 Z	2
23	UFWZ025	1/4 USS F/W Z	2
24	486-006	3 HP MOTOR FOR FOR K8B, K10B, KM10, BG260H AND S460W	1
25	UFWZ031	5/16 USS F/W Z	12
26	HHC5031016	5/16-18 X 1 HHCS GR5 Z	8
27	FHN5031	5/16-18 FHN GR5 ZINC	10
28	051-003	V-BELT FOR K10, KM10, S6MW, S460W	1
29	342-043	K10B, KM10 PLASTIC OUTER BELT GUARD	1
30	SLWZ025	1/4 SPLIT L/W Z	7
31	SSBA031006	5/16 X 3/8 SOC SHOULDER BOLT	1
32	UFWZ037	3/8 USS F/W Z	2
33	BWWA031	5/16 BOWED SPRING WASHER 21/64	2
34	RND-0.31-18 THRD	3 INCHES OF 5/16-18 THREADED ROD	1
35	CPNZ031	5/16-18 CAP NUT NICKEL	1
36	381-003	HANDLE WR GRIP FOR K7B, K8B, K10B SAWS	1
37	SSKA025004	1/4-20 X 1/4 SOC SET KNURL PT.	2
38	431-002	K10- 14 REAR VISE JAW	1
39	SHCA031048	5/16-18 X 3 SHCS	2
40	537-014	K10-14 FENCE NUT	1
41	709-002	WORK STOP FOR K10B	1
42	716-011	COOLANT TANK ASSEMBLY FOR S460W, S6MW, S6MW, K12-14MS, K12-14W	1
43	041-114	1/4 TO 1/2 H.P. COOLANT PUMP MOUNTING BRACKET FOR WET SANDERS	1
44	577-002	1/4HP COOLANT PUMP AND MOTOR	1
45	RND-5/8-11 THRD	4 INCHES OF 5/8-11 THREADED ROD	1
46	RND-0.625-11 THRD	5-1/2 INCHES OF 5/8-11 THREADED ROD	1
47	FJNZ062	5/8-11 F H JAM NUT Z	2
48	389-013	COOLANT HOSE MOUNTING BRACKET ASSEMBLY W FLEXIBLE HOSE & FITTINGS FOR K12-14MS, K12-14W, AND OTHER MACHINES	1
49	HHC5025008	1/4-20 X 1/2 HHCS GR5 Z	5
50	FHN5025	1/4-20 FHN GR5 Z	2
51	12-SG	3-SIDED SPLASH GUARD FOR 12-W STAND	1
52	912-015	K10- 14 VISE ASSEMBLY	1

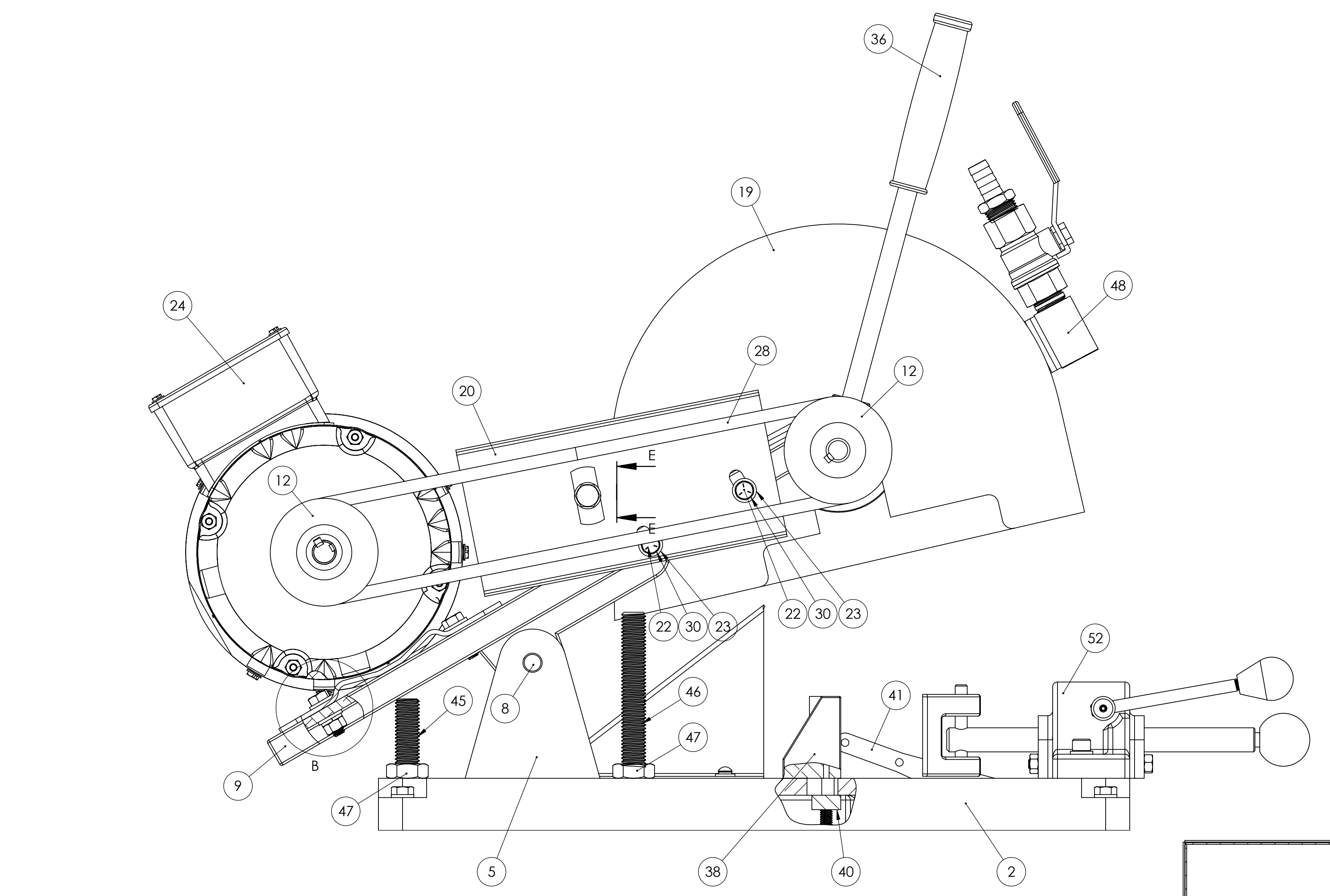
3PH MOTOR AND PUMP

24	486-007	3HP 3PH	1
44	577-002	1/4HP 3PH	1

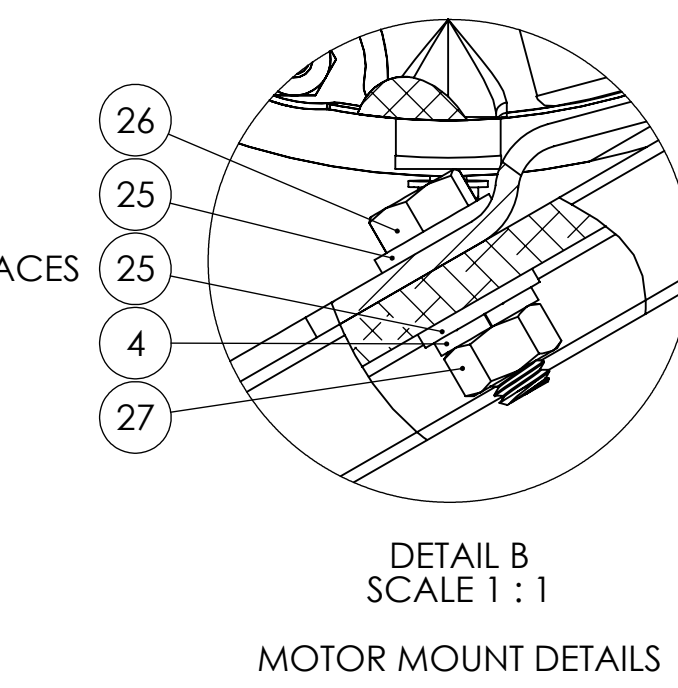
UNLESS OTHERWISE SPECIFIED:		NAME	DATE
DRAWINGS ARE IN INCHES	DRAWN		
TOLERANCES:	CHECKED		
FRACTIONS: 1/8	ENG APPR		
ANGULAR: 30/60/90/120	MG APPR		
DECEL: 0.01	DATE:		
THREE PLACE DECIMAL: 0.01	COMMENTS:		
INTERFERENCE GEOMETRIC TOLERANCES PER			
MATERIAL:			
NEET XREF	USED ON	FINISH	
APPLICATION	DO NOT SCALE DRAWING		

PROPRIETARY/CONFIDENTIAL
 THE INFORMATION CONTAINED IN THIS DRAWING IS THE SOLE PROPERTY OF KALAMAZOO TOOL COMPANY. IT IS TO BE USED ONLY FOR THE PURPOSES AND UNDER THE TERMS OF THE LICENSE AGREEMENT. UNLESS OTHERWISE SPECIFIED, REPRODUCTION IN ANY FORM OR BY ANY MEANS IS PROHIBITED WITHOUT THE WRITTEN PERMISSION OF KALAMAZOO TOOL COMPANY. TRADE MARKS ARE INDICATED BY THE TRADE MARK SYMBOL.

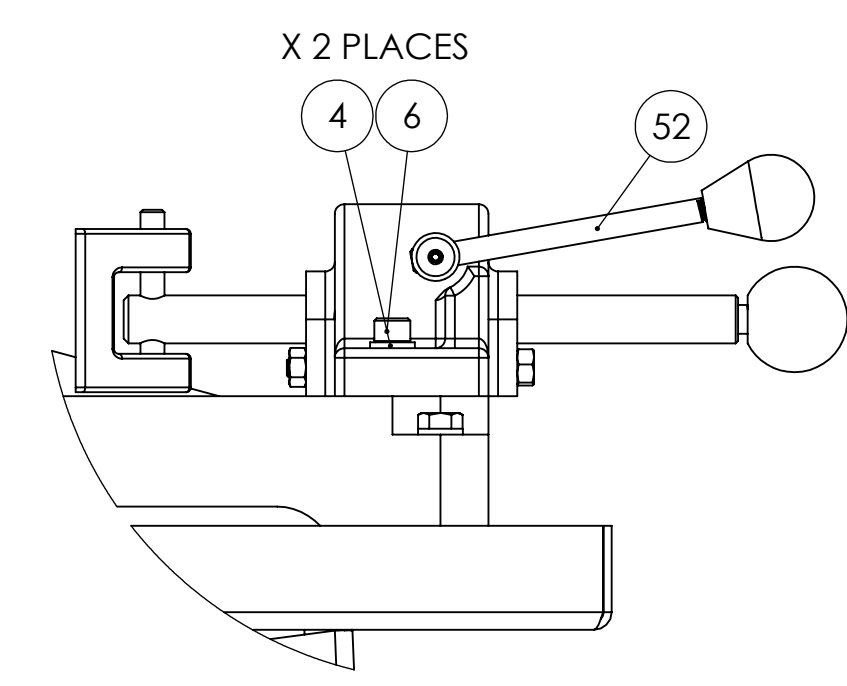
TITLE	SIZE	DWG. NO.	REV
MODEL K10SW 10" WET ABRASIVE SAW	E	K10SW	
	SCALE: 1:5	WEIGHT:	SHEET 1 OF 1



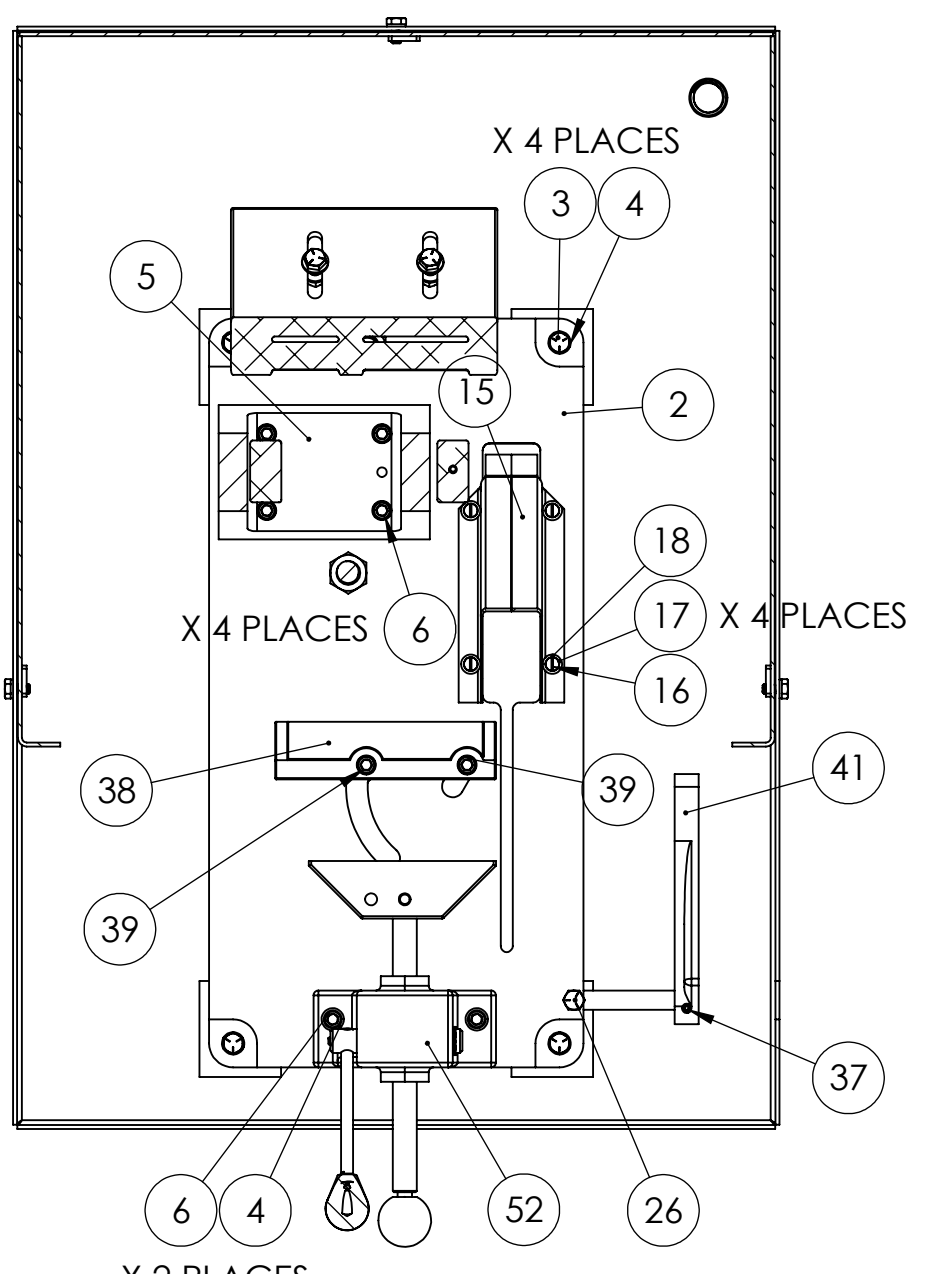
INTERNAL LEFT SIDE VIEW OF BELTS AND PULLEYS



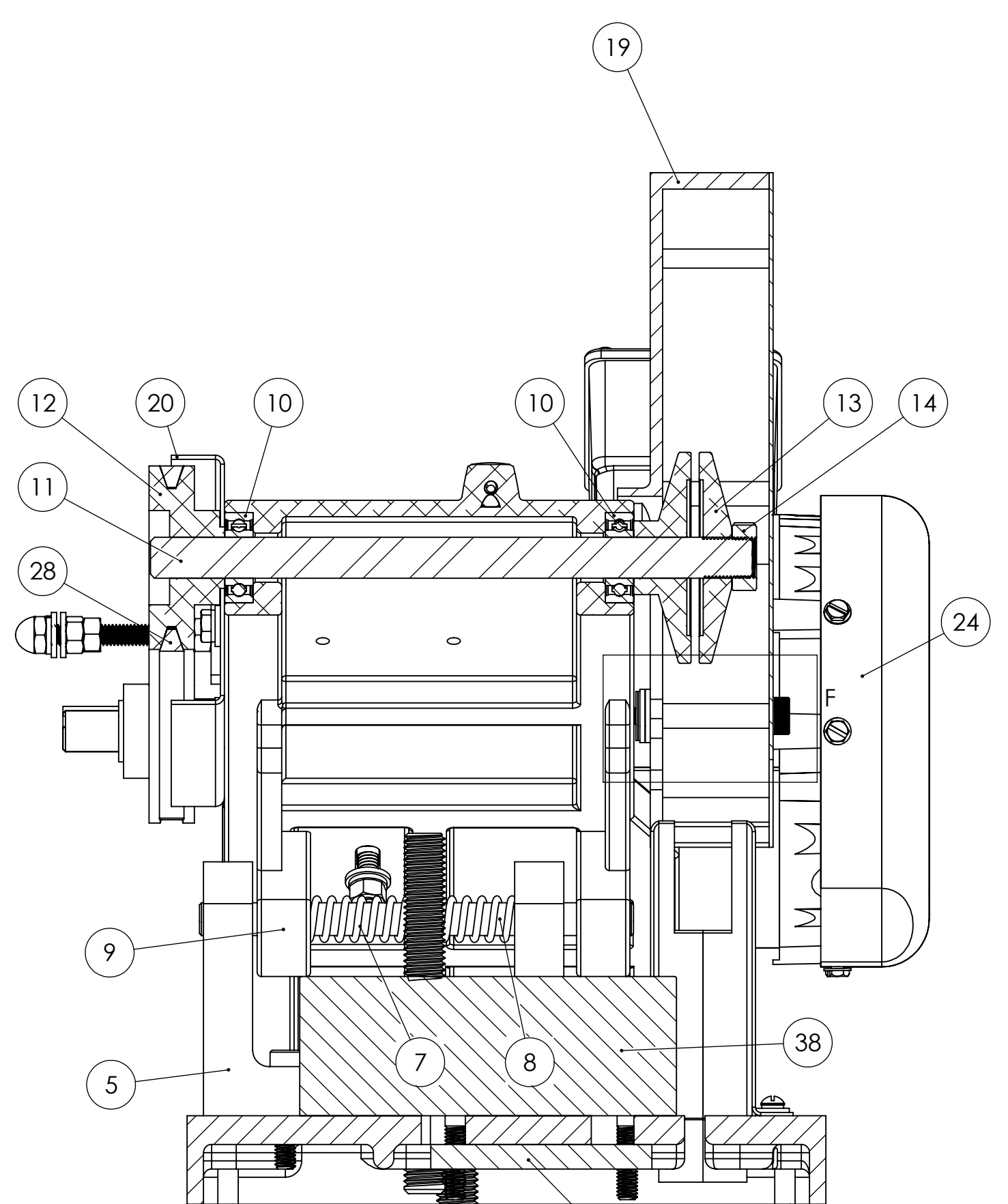
DETAIL B SCALE 1:1 MOTOR MOUNT DETAILS



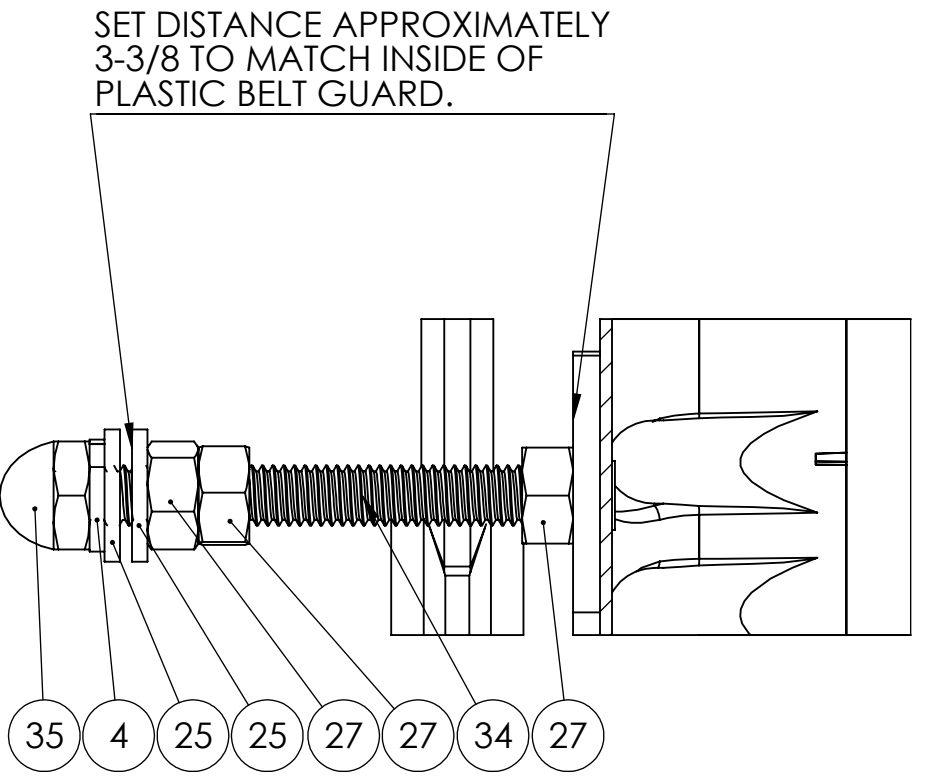
DETAIL C SCALE 2:5 VISE DETAILS



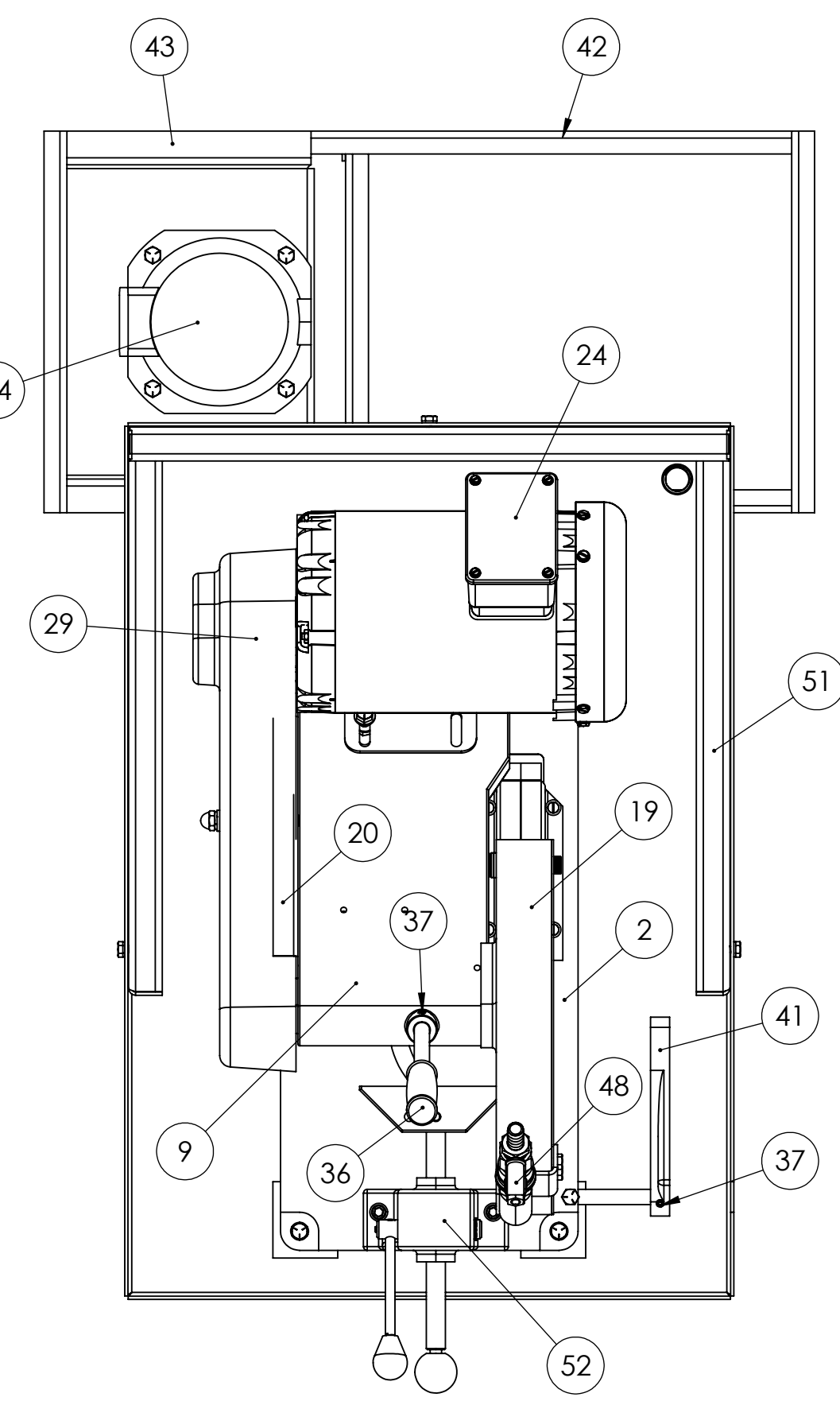
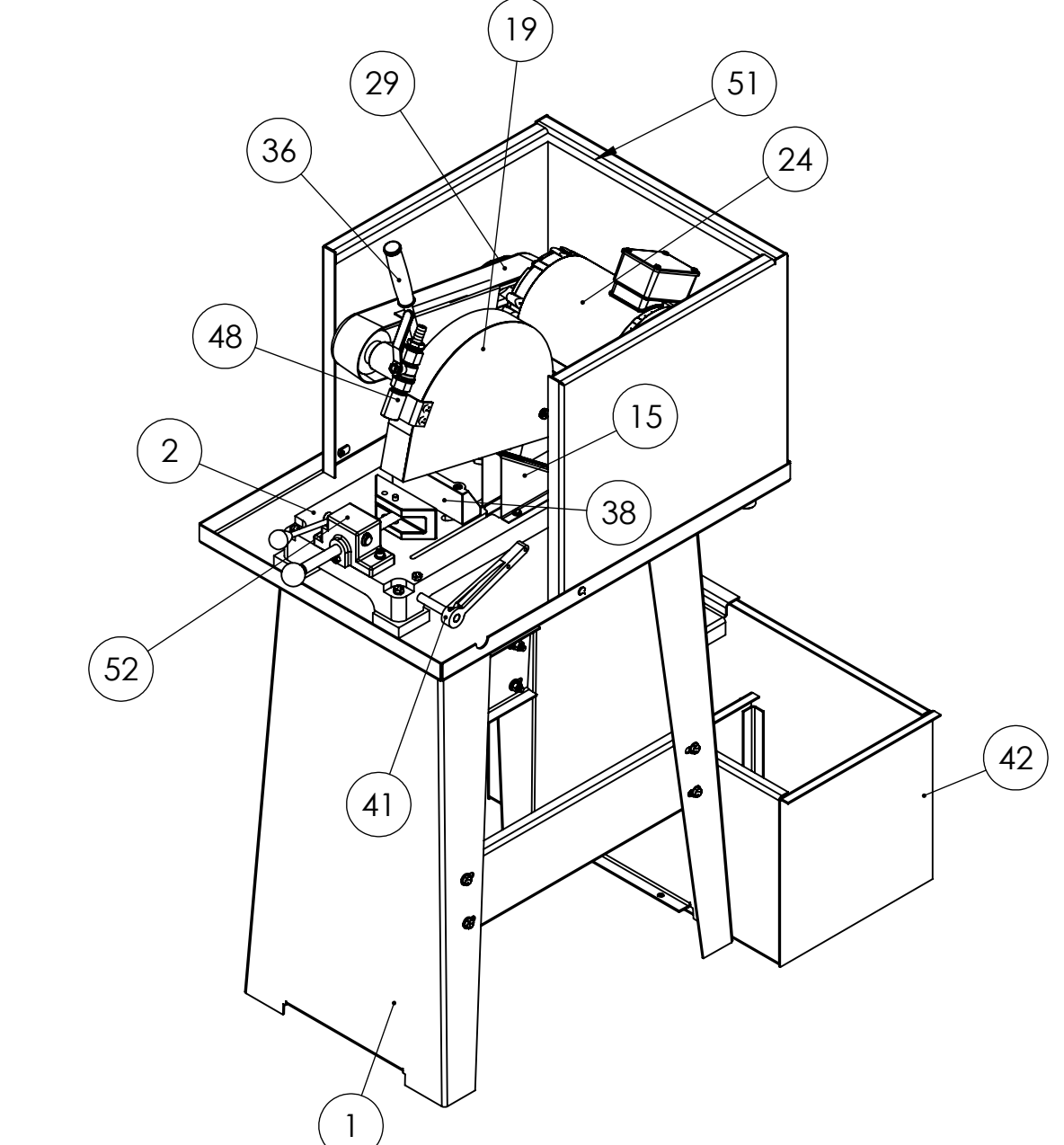
SECTION D-D TOP VIEW LAYOUT



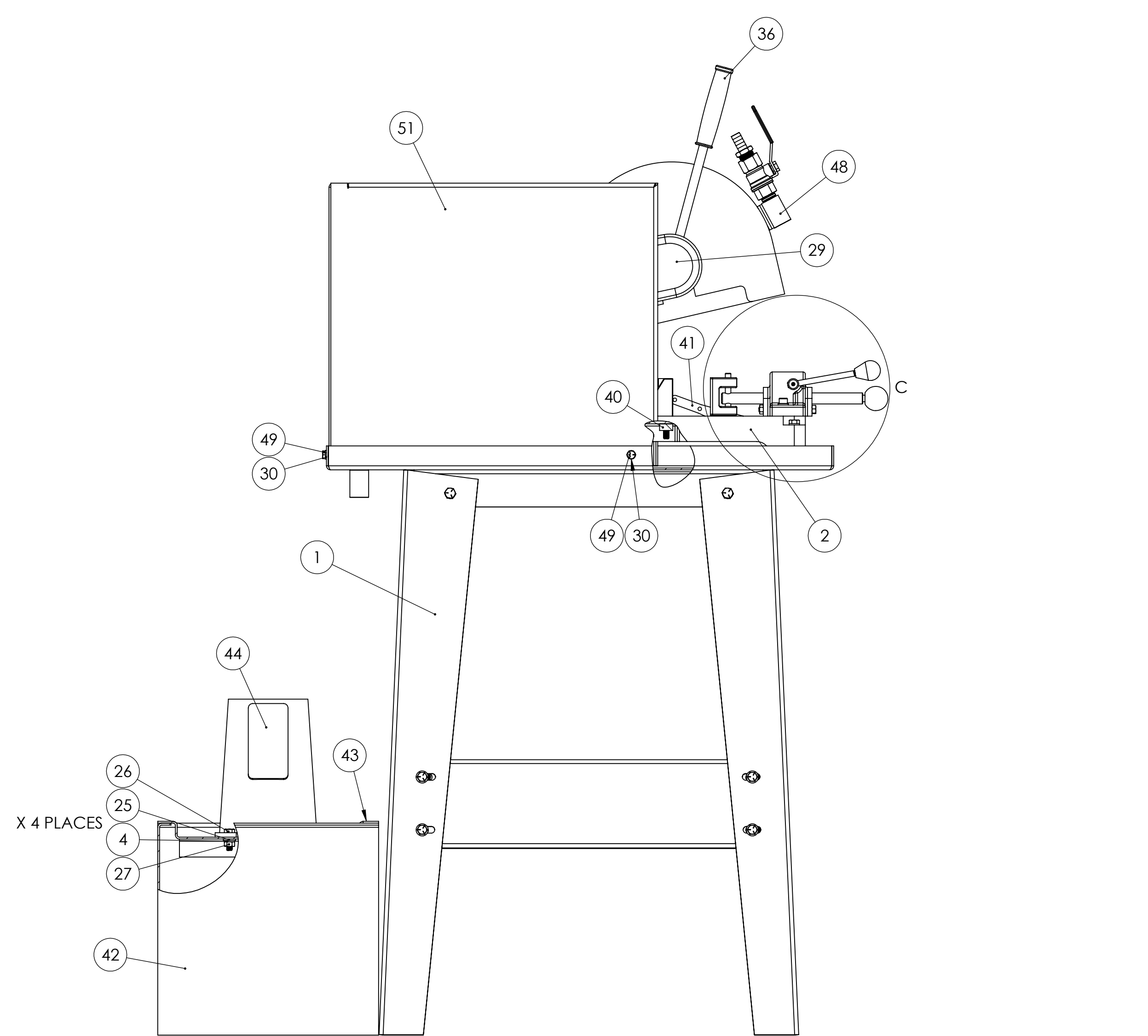
SECTION A-A SCALE 1:2 INTERNAL VIEW OF SPINDLE



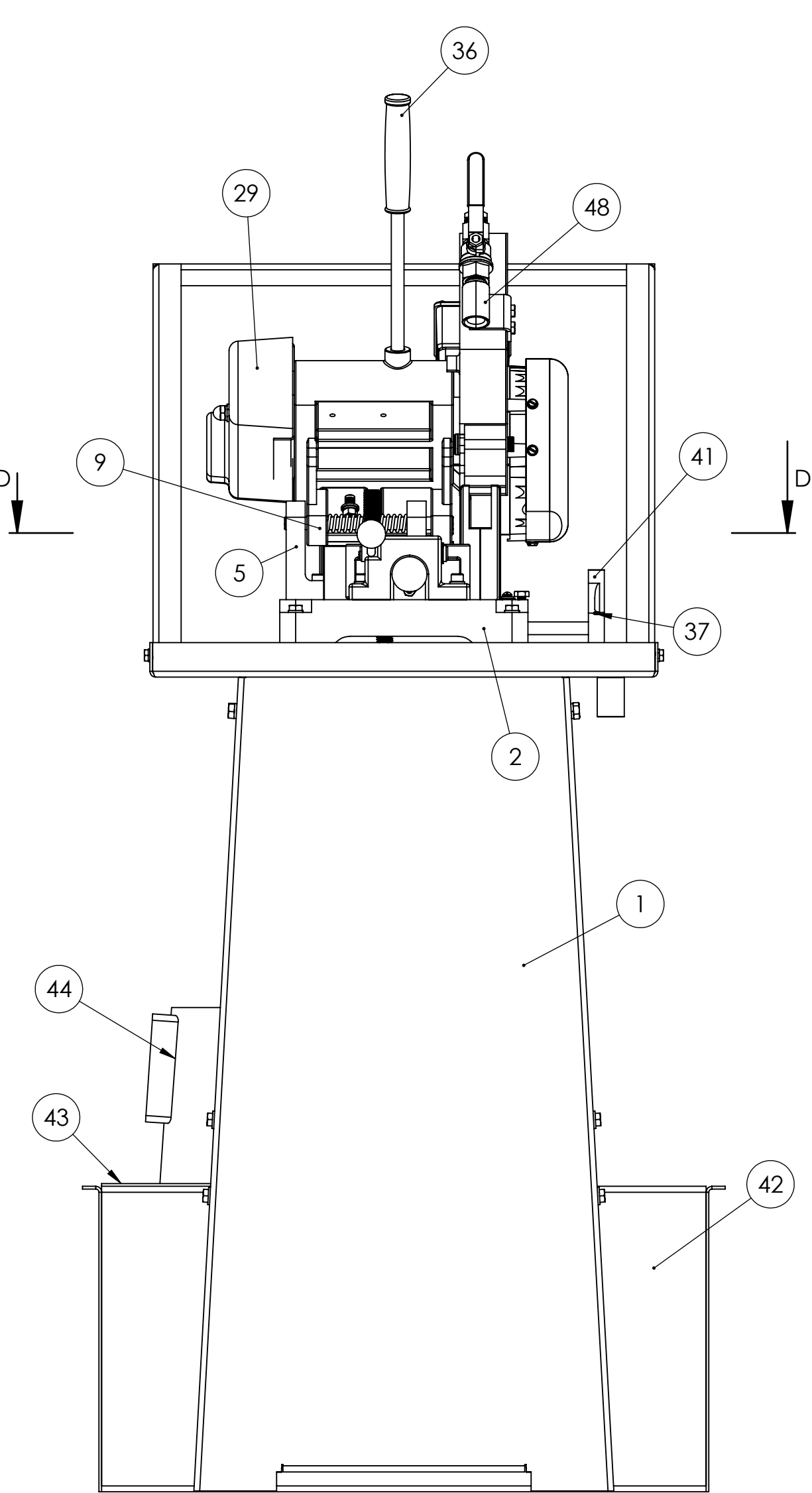
SECTION E-E SCALE 1:1 ATTACHING PLASTIC OUTER BELT GUARD



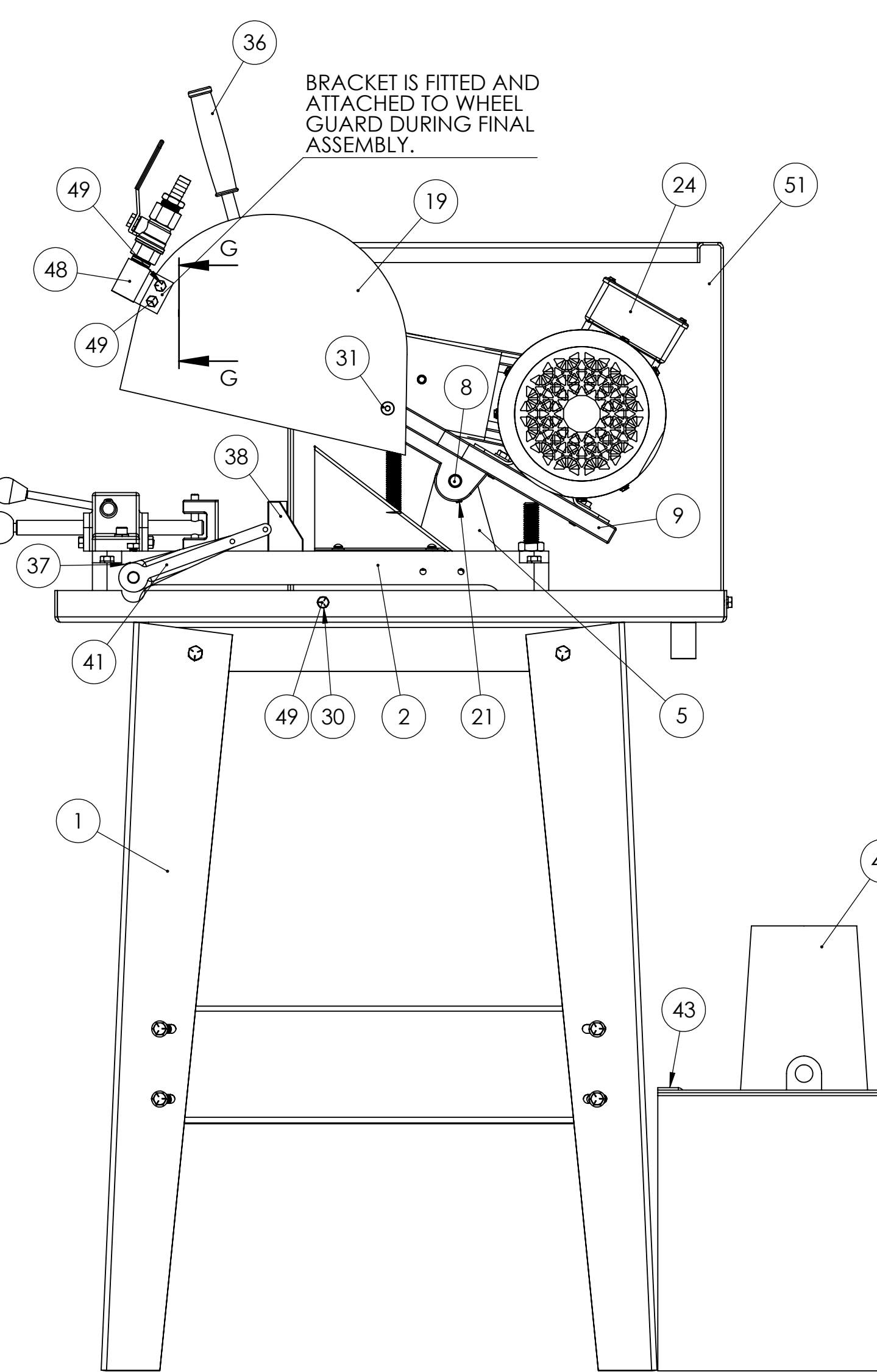
TOP VIEW



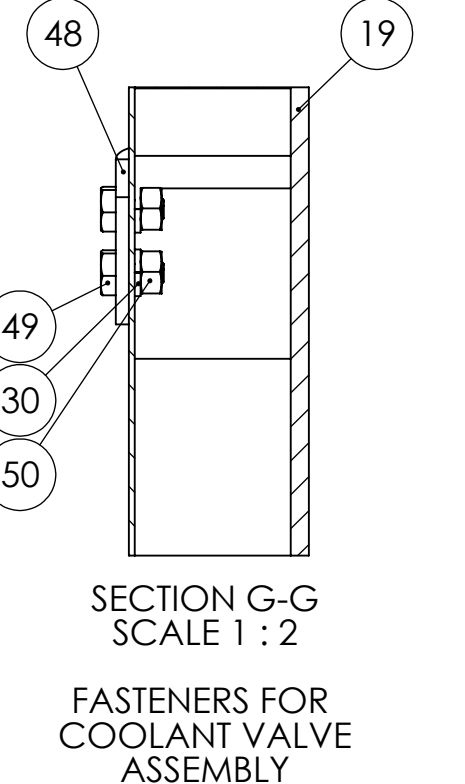
LEFT SIDE VIEW



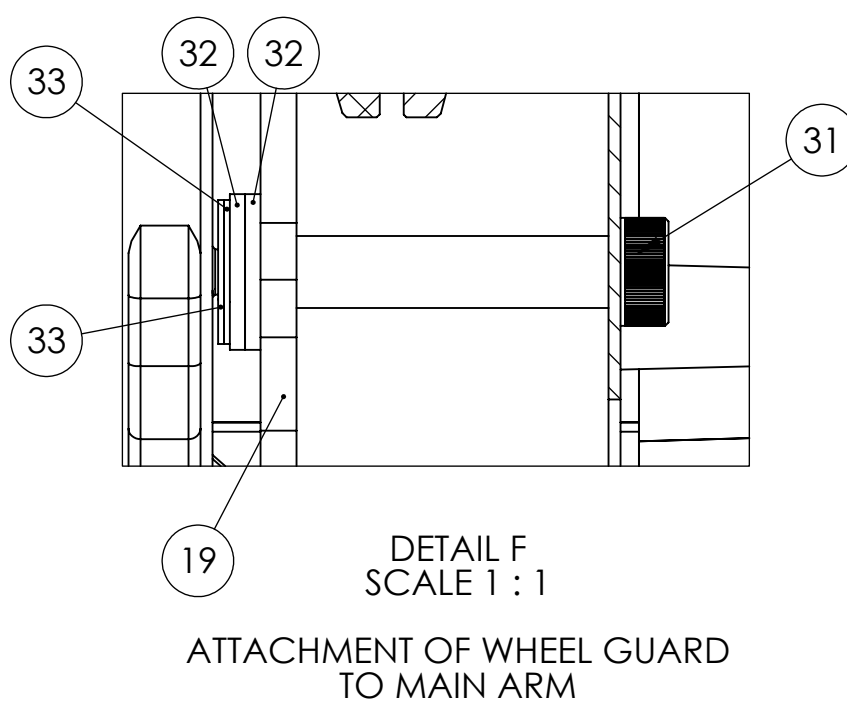
FRONT VIEW



INTERNAL RIGHT SIDE VIEW



SECTION G-G SCALE 1:2 FASTENERS FOR COOLANT VALVE ASSEMBLY



DETAIL F SCALE 1:1 ATTACHMENT OF WHEEL GUARD TO MAIN ARM

PLEASE CONSULT DRAWING #912-015 FOR VISE DETAILS.